

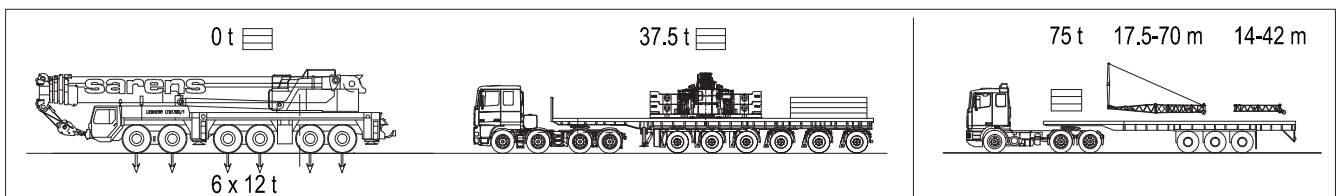
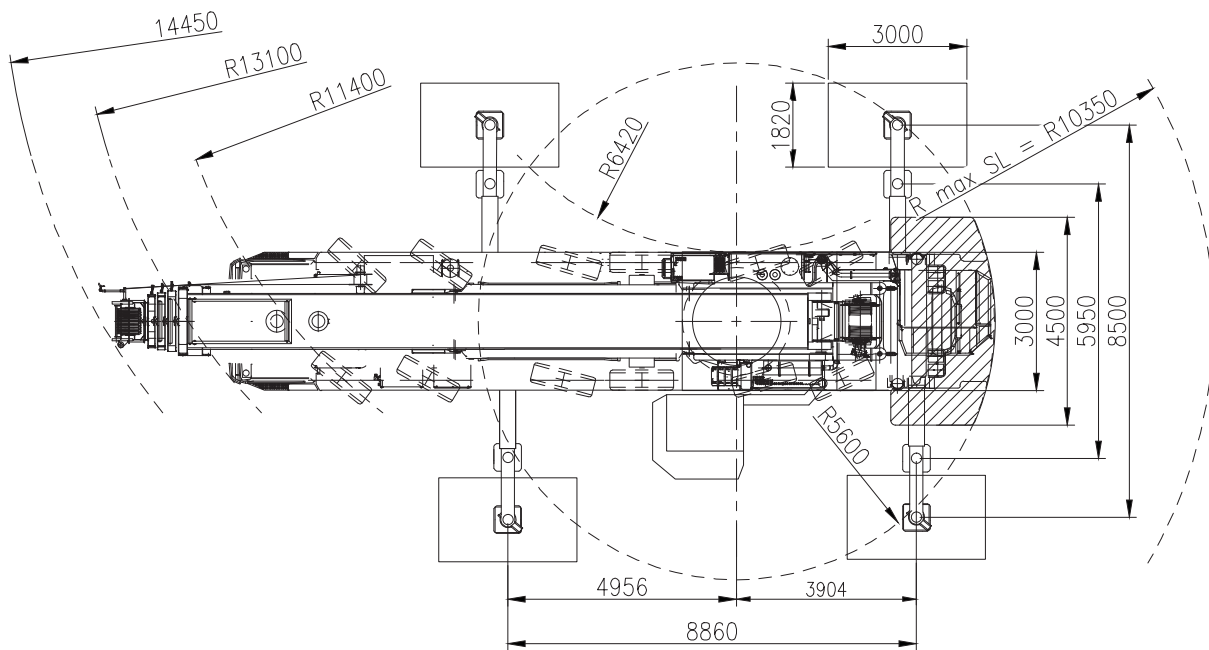
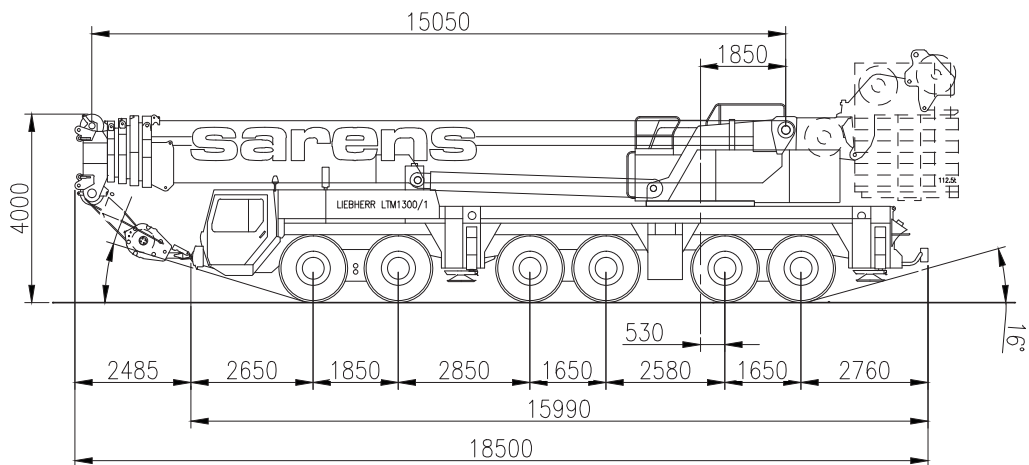


sarens
group

www.sarens.com

LIEBHERR LTM 1300/1

300 TON





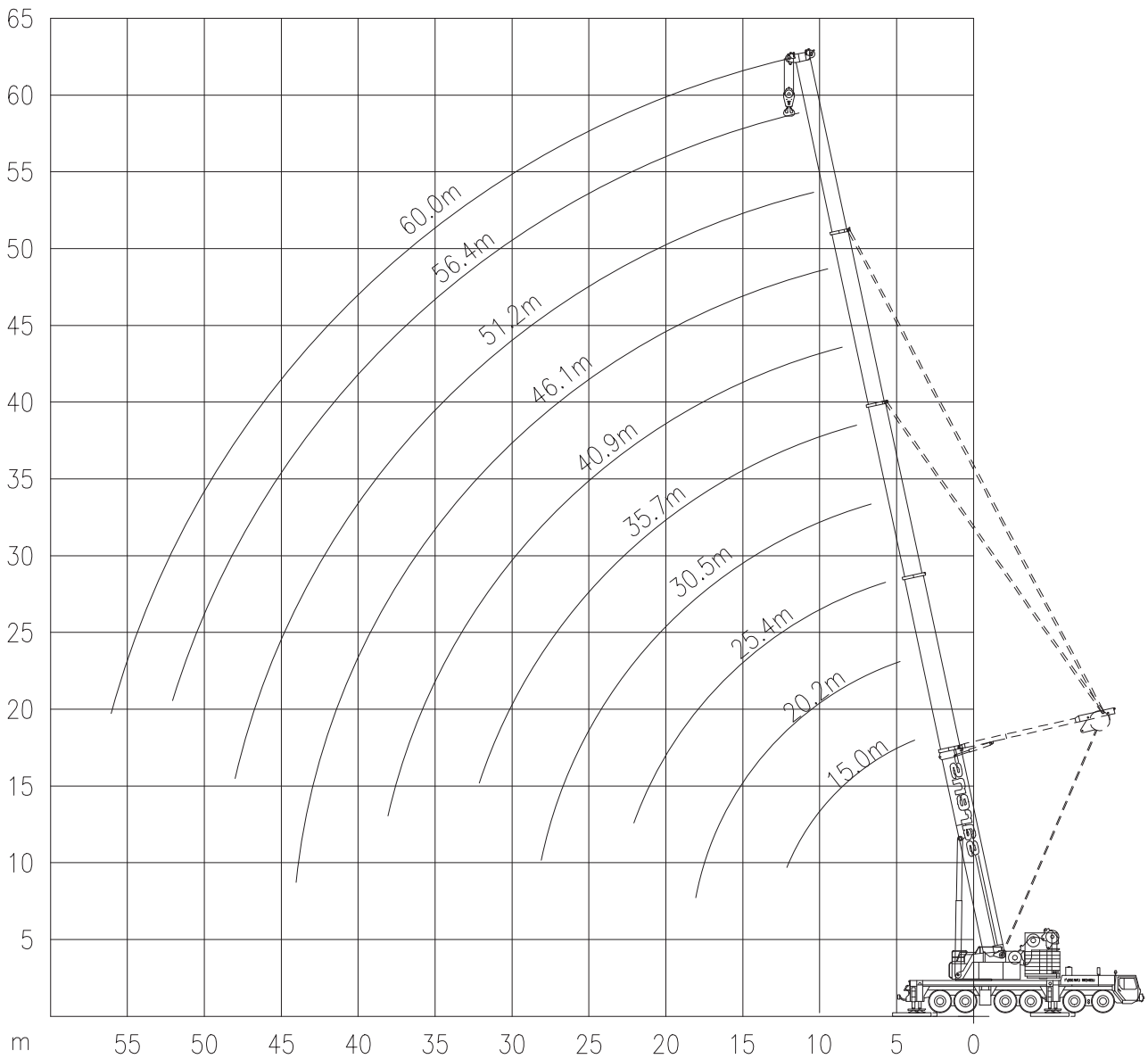
LIEBHERR LTM 1300/1

Working ranges
Portées

300 TON

Arbeitsbereiche
Werkbereich

T / TA



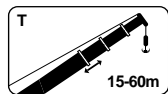


LIEBHERR LTM 1300/1

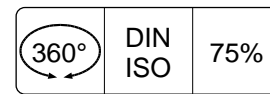
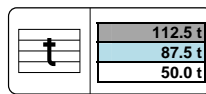
300 TON

Lifting capacities at main boom (excl.hook block etc.)
Capacités à la flèche principale

Tragfähigkeiten am Hauptausleger
Capaciteiten aan de hoofdgiëk



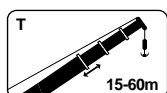
T



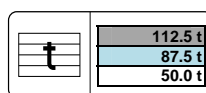
m	15.0m		20.2m		25.4m		30.5m		35.7m		40.9m		46.1m		51.2m		56.4m		60.0m		m
	t	t	t	t	t	t	t	t	t	t	t	t	t	t	t	t	t	t	t		
3	300.0*	201.0	-	-	-	-	-	-	-	-	-	-	-	-	-	-	-	-	-	-	3
3,5	201.0*	185.0	152.0	-	-	-	-	-	-	-	-	-	-	-	-	-	-	-	-	-	3,5
4	188.0*	171.0	152.0	152.0	-	-	-	-	-	-	-	-	-	-	-	-	-	-	-	-	4
4,5	174.0*	162.0	152.0	152.0	-	-	-	-	-	-	-	-	-	-	-	-	-	-	-	-	4,5
5	161.0*	151.0	151.0	142.0	121.0	-	-	-	-	-	-	-	-	-	-	-	-	-	-	-	5
6	138.0*	133.0	133.0	128.0	111.0	90.0	-	-	-	-	-	-	-	-	-	-	-	-	-	-	6
7	119.0*	118.0	118.0	115.0	101.0	83.0	73.0	-	-	-	-	-	-	-	-	-	-	-	-	-	7
8	104.0*	106.0	106.0	104.0	93.0	77.0	68.0	58.0	-	-	-	-	-	-	-	-	-	-	-	-	8
9	92.0*	95.0	95.0	94.0	85.0	71.0	63.0	55.0	46.5	-	-	-	-	-	-	-	-	-	-	-	9
10	82.0*	87.0	87.0	86.0	79.0	67.0	60.0	52.0	44.5	37.0	-	-	-	-	-	-	-	-	-	-	10
12	67.0*	73.0	73.0	72.0	67.0	58.0	53.0	46.5	40.5	34.0	30.5	-	-	-	-	-	-	-	-	-	12
14	-	-	62.0	61.0	59.0	52.0	46.5	41.0	37.0	31.5	29.0	-	-	-	-	-	-	-	-	-	14
16	-	-	53.0	53.0	52.0	46.5	41.5	37.0	33.5	29.4	27.0	-	-	-	-	-	-	-	-	-	16
18	-	-	46.5	46.0	46.5	42.5	37.5	33.5	30.5	27.2	25.2	-	-	-	-	-	-	-	-	-	18
20	-	-	-	40.5	41.0	38.0	34.5	30.5	27.7	25.2	23.5	-	-	-	-	-	-	-	-	-	20
22	-	-	-	36.0	36.5	35.0	31.5	27.8	25.3	23.4	21.8	-	-	-	-	-	-	-	-	-	22
24	-	-	-	-	33.0	32.0	28.7	25.6	23.3	21.7	20.2	-	-	-	-	-	-	-	-	-	24
26	-	-	-	-	29.9	29.6	26.5	23.5	21.6	20.2	18.8	-	-	-	-	-	-	-	-	-	26
28	-	-	-	-	-	27.2	27.6	24.4	21.8	20.0	18.7	-	-	-	-	-	-	-	-	-	28
30	-	-	-	-	-	-	25.6	22.4	20.3	18.5	17.4	-	-	-	-	-	-	-	-	-	30
32	-	-	-	-	-	-	23.5	20.9	18.9	17.3	16.2	-	-	-	-	-	-	-	-	-	32
34	-	-	-	-	-	-	-	19.6	17.6	16.2	15.2	-	-	-	-	-	-	-	-	-	34
36	-	-	-	-	-	-	-	-	16.5	15.1	14.3	-	-	-	-	-	-	-	-	-	36
38	-	-	-	-	-	-	-	-	15.5	14.1	13.4	-	-	-	-	-	-	-	-	-	38
40	-	-	-	-	-	-	-	-	14.6	13.4	12.6	-	-	-	-	-	-	-	-	-	40
44	-	-	-	-	-	-	-	-	11.8	11.9	11.3	-	-	-	-	-	-	-	-	-	44
48	-	-	-	-	-	-	-	-	-	10.7	10.2	-	-	-	-	-	-	-	-	-	48
52	-	-	-	-	-	-	-	-	-	-	9.2	-	-	-	-	-	-	-	-	-	52
56	-	-	-	-	-	-	-	-	-	-	8.7	-	-	-	-	-	-	-	-	-	56
58	-	-	-	-	-	-	-	-	-	-	(54m)	5.4	-	-	-	-	-	-	-	-	58

* Over rear / En arrière / Nach hinten / Over achterzijde

Values in brackets below or above load capacity, indicate exact radius. / Les valeurs entre parenthèses () notées au-dessus ou en-dessous des capacités, indiquent les portées exactes (pour les dernières). / Die Werten in Klammern unten oder oben den Tragfähigkeiten bedeuten die genaue Ausladung. / Waarden tussen haakjes () onder of boven capaciteiten geven de exacte radius aan.



TA



m	30.5m		35.7m		35.7m		40.9m		46.1m		51.2m		56.4m		60.0m		m
	t	t	t	t	t	t	t	t	t	t	t	t	t	t	t		
5.0	126.0*	-	-	-	-	-	-	-	-	-	-	-	-	-	-	-	-
6.0	121.0*	96.0*	90.0**	-	-	-	-	-	-	-	-	-	-	-	-	-	-
7.0	113.0*	93.0*	87.0**	76.0**	-	-	-	-	-	-	-	-	-	-	-	-	7.0
8.0	104.0*	90.0*	83.0**	74.0**	60.0**	-	-	-	-	-	-	-	-	-	-	-	8.0
9.0	95.0*	88.0*	79.0**	72.0**	59.0**	47.5**	-	-	-	-	-	-	-	-	-	-	9.0
10.0	87.0*	85.0*	76.0**	71.0**	57.0**	46.5**	38.5**	-	-	-	-	-	-	-	-	-	10.0
12.0	72.0*	72.0*	70.0**	67.0**	55.0**	45.0**	37.5**	31.0**	-	-	-	-	-	-	-	-	12.0
14.0	62.0*	61.0*	63.0**	63.0**	53.0**	43.5**	36.5**	31.0**	-	-	-	-	-	-	-	-	14.0
16.0	53.0*	53.0*	54.0**	55.0**	51.0**	42.0**	35.5**	30.5**	-	-	-	-	-	-	-	-	16.0
18.0	46.0*	46.0*	47.5**	47.5**	48.0**	40.5**	34.5**	30.0**	-	-	-	-	-	-	-	-	18.0
20.0	40.5*	40.0*	41.5**	42.0**	42.5**	39.0**	33.0**	29.2**	-	-	-	-	-	-	-	-	20.0
22.0	36.0*	35.5*	37.0**	37.5**	38.0**	37.5**	32.0**	28.3**	-	-	-	-	-	-	-	-	22.0
24.0	32.0*	31.5*	33.0**	33.5**	34.0**	34.0**	31.5**	27.6**	-	-	-	-	-	-	-	-	24.0
26.0	28.5*	28.0*	29.8**	30.0**	30.5**	30.5**	30.5**	26.9**	-	-	-	-	-	-	-	-	26.0
28.0	25.5*	25.1*	26.8**	27.0**	27.6**	28.5**	27.8**	26.1**	-	-	-	-	-	-	-	-	28.0
30.0	-	22.5*	24.3**	24.5**	25.0**	25.9**	25.2**	25.3**	-	-	-	-	-	-	-	-	30.0
32.0	-	20.3*	22.9**	22.2**	22.8**	23.7**	23.0**	23.0**	-	-	-	-	-	-	-	-	32.0
34.0	-	-	-	20.2**	20.8**	21.7**	21.0**	21.0**	-	-	-	-	-	-	-	-	34.0
36.0	-	-	-	18.5**	19.0**	19.9**	19.2**	19.3**	-	-	-	-	-	-	-	-	36.0
38.0	-	-	-	16.9**	17.5**	18.3**	17.7**	17.7**	-	-	-	-	-	-	-	-	38.0
40.0	-	-	-	-	16.5**	16.9**	16.2**	16.3**	-	-	-	-	-	-	-	-	40.0
44.0	-	-	-	-	11.1**	14.4**	13.8**	13.8**	-	-	-	-	-	-	-	-	44.0
48.0	-	-	-	-	-	12.3**	11.7**	11.7**	-	-	-	-	-	-	-	-	48.0
52.0	-	-	-	-	-	-	9.9**	9.9**	-	-	-	-	-	-	-	-	52.0
56.0	-	-	-	-	-	-	-	8.4**	-	-	-	-	-	-	-	-	56.0

* Main boom guyed at 2nd telescope / Flèche principale haubanée au 2ième telescope / Hauptausleger abgespannt am 2en Teleskop / Afspanning aan 2de telescoop.

** Main boom guyed at 3rd telescope / Flèche principale haubanée au 3ième telescope / Hauptausleger abgespannt am 3en Teleskop / Afspanning aan 3de telescoop.



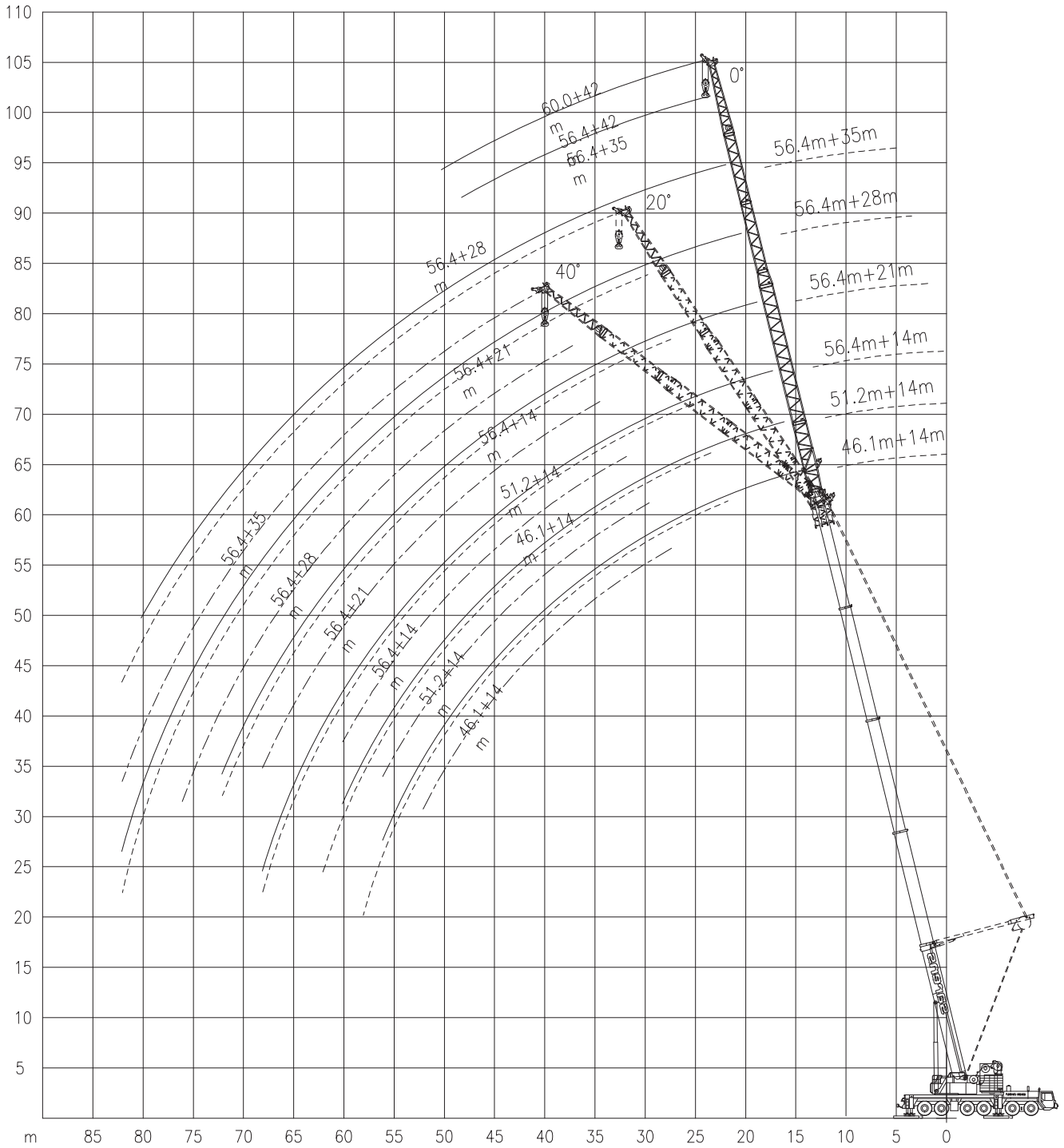
LIEBHERR LTM 1300/1

300 TON

Working ranges
Portées

Arbeitsbereiche
Werkbereich

TF/TAF



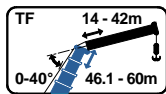


LIEBHERR LTM 1300/1

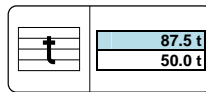
300 TON

Lifting capacities at fixed jib (excl.hook block etc.)
Capacités à la fléchette treillis fixe

Tragfähigkeiten am starren Hilfsausleger
Capaciteiten aan vaste hulpgiëk



TF



DIN
ISO

75%

m	↕ 46.1m + 2.5m			↕ 51.2m + 2.5m			↕ 56.4m + 2.5m						m
	14m			14m			14m			21m			
	0°	20°	40°	0°	20°	40°	0°	20°	40°	0°	20°	40°	
	t	t	t	t	t	t	t	t	t	t	t	t	
10	-	-	-	-	-	-	-	-	-	-	-	-	10
12	25.6	-	-	-	-	-	-	-	-	-	-	-	12
14	24.1	-	-	21.0	-	-	16.2	-	-	-	-	-	14
16	22.5	-	-	19.9	-	-	15.4	-	-	11.9	-	-	16
18	21.1	17.3	-	18.7	16.6	-	14.5	-	-	11.2	-	-	18
20	19.8	16.3	11.3	17.7	15.7	-	13.8	11.5	-	10.6	-	-	20
22	18.5	15.5	11.0	16.5	14.8	10.8	12.9	10.8	-	10.1	-	-	22
24	17.4	14.7	10.7	15.5	13.9	10.6	12.2	10.3	9.2	9.5	7.7	-	24
26	16.4	14.0	10.4	14.5	13.2	10.4	11.5	9.8	8.8	8.9	7.3	-	26
28	15.6	13.4	10.2	13.6	12.4	10.1	10.9	9.3	8.4	8.3	6.9	-	28
30	14.8	12.8	10.0	12.9	11.8	9.9	10.3	8.9	8.1	7.8	6.6	5.8	30
32	13.8	12.3	9.8	12.1	11.2	9.8	9.7	8.5	7.8	7.4	6.2	5.5	32
34	12.8	11.8	9.7	11.4	10.7	9.6	9.2	8.1	7.5	7.0	5.9	5.3	34
36	11.9	11.3	9.6	10.7	10.1	9.5	8.7	7.8	7.2	6.6	5.7	5.1	36
38	11.1	10.9	9.4	10.0	9.6	9.4	8.2	7.4	7.0	6.3	5.4	4.9	38
40	10.4	10.6	9.3	9.3	9.2	9.0	7.8	7.2	6.8	5.9	5.1	4.7	40
42	9.7	9.9	9.3	8.7	8.8	8.6	7.4	6.9	6.6	5.6	4.9	4.5	42
44	9.0	9.3	9.3	8.1	8.3	8.3	7.1	6.6	6.4	5.4	4.7	4.3	44
46	8.4	8.6	8.8	7.5	7.7	7.9	6.7	6.3	6.2	5.1	4.5	4.2	46
48	7.9	8.1	8.3	7.0	7.2	7.4	6.3	6.1	6.0	4.9	4.3	4.1	48
50	7.4	7.6	7.7	6.5	6.6	6.9	5.9	5.8	5.8	4.6	4.1	3.9	50
54	6.5	6.7	6.7	5.7	5.8	5.9	5.0	5.2	5.4	4.2	3.9	3.7	54
58	5.3	5.5	-	4.9	5.0	5.1	4.3	4.4	4.7	3.8	3.6	3.6	58
62	-	-	-	4.1	4.2	-	3.7	3.9	4.0	3.3	3.4	3.4	62
66	-	-	-	-	-	-	3.3	3.3	-	2.8	3.0	3.2	66
70	-	-	-	-	-	-	3.1	3.1	-	2.5	2.6	2.7	70
74	-	-	-	-	-	-	(68m)	(68m)	-	2.1	2.2	-	74
78	-	-	-	-	-	-	-	-	-	-	-	-	78

m	↕ 56.4m + 2.5m									↕ 60.0m + 2.5m			m
	28m			35m			42m			42m			
	0°	20°	40°	0°	20°	40°	0°	20°	40°	0°	20°	40°	
	t	t	t	t	t	t	t	t	t	t	t	t	
16	-	-	-	-	-	-	-	-	-	-	-	-	16
18	9.0	-	-	-	-	-	-	-	-	-	-	-	18
20	8.5	-	-	6.7	-	-	-	-	-	-	-	-	20
22	8.0	-	-	6.3	-	-	4.9	-	-	-	-	-	22
24	7.5	-	-	5.9	-	-	4.5	-	-	4.0	-	-	24
26	7.1	-	-	5.5	-	-	4.1	-	-	3.9	-	-	26
28	6.6	5.3	-	5.1	-	-	3.8	-	-	3.6	-	-	28
30	6.2	5.0	-	4.7	-	-	3.5	-	-	3.4	-	-	30
32	5.8	4.7	-	4.4	3.4	-	3.3	-	-	3.2	-	-	32
34	5.5	4.4	3.6	4.1	3.3	-	3.1	-	-	3.0	-	-	34
36	5.1	4.2	3.5	3.8	3.1	-	2.9	-	-	2.8	-	-	36
38	4.8	4.0	3.5	3.6	2.9	-	2.8	-	-	2.7	-	-	38
40	4.6	3.8	3.4	3.4	2.8	2.2	2.6	-	-	2.5	-	-	40
42	4.3	3.6	3.3	3.2	2.7	2.1	2.4	-	-	2.4	-	-	42
44	4.1	3.4	3.2	3.0	2.5	2.1	2.3	-	-	2.2	-	-	44
46	3.8	3.3	3.1	2.9	2.4	2.0	2.2	-	-	2.1	-	-	46
48	3.7	3.2	3.0	2.7	2.3	2.0	2.0	-	-	2.0	-	-	48
50	3.5	3.1	2.9	2.6	2.2	1.9	1.9	-	-	1.9	-	-	50
54	3.2	2.8	2.7	2.3	2.0	1.8	-	-	-	-	-	-	54
58	2.9	2.6	2.5	2.1	1.8	1.7	-	-	-	-	-	-	58
62	2.7	2.5	2.4	1.9	1.7	1.6	-	-	-	-	-	-	62
66	2.5	2.3	2.3	1.7	1.5	1.5	-	-	-	-	-	-	66
70	2.2	2.2	2.2	1.6	1.4	1.4	-	-	-	-	-	-	70
74	1.9	2.1	2.2	1.4	1.3	1.3	-	-	-	-	-	-	74
78	1.6	1.7	2.0	1.2	1.2	1.2	-	-	-	-	-	-	78
82	1.3	1.4	(76m)	1.1	1.2	1.2	-	-	-	-	-	-	82
86	-	-	-	(80m)	-	-	-	-	-	-	-	-	86
90	-	-	-	-	-	-	-	-	-	-	-	-	90
94	-	-	-	-	-	-	-	-	-	-	-	-	94

Values in brackets below or above load capacity, indicate exact radius. / Les valeurs entre parenthèses () notées au-dessus ou en-dessous des capacités, indiquent les portées exactes (pour les dernières). / Die Werten in Klammern unten oder oben den Tragfähigkeiten bedeuten die genaue Ausladung. / Waarden tussen haakjes () onder of boven capaciteiten geven de exacte radius aan.

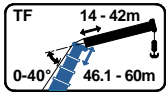


LIEBHERR LTM 1300/1

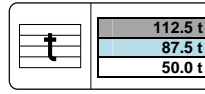
300 TON

Lifting capacities at fixed jib (excl. hook block etc.)
Capacités à la fléchette treillis fixe

Tragfähigkeiten am starren Hilfsausleger
Capaciteiten aan vaste hulpgiëk



TAF !*



DIN ISO

75%

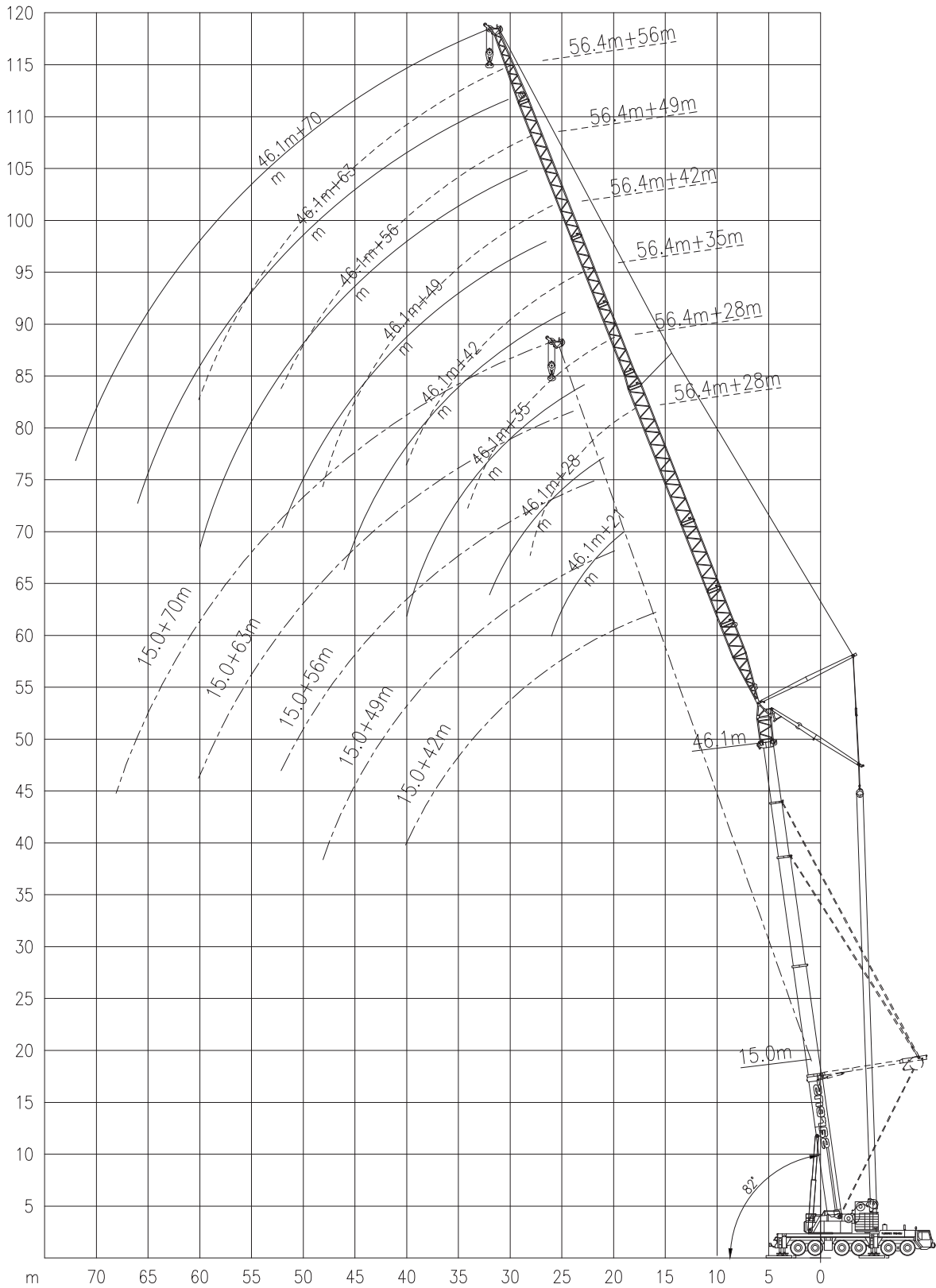
Jib height (m)	↙ 46.1m + 2.5m			↙ 51.2m + 2.5m			↙ 56.4m + 2.5m						Jib height (m)
	14m			14m			14m			21m			
	0°	20°	40°	0°	20°	40°	0°	20°	40°	0°	20°	40°	
	t	t	t	t	t	t	t	t	t	t	t	t	
10	-	-	-	-	-	-	-	-	-	-	-	-	10
12	28.0	-	-	-	-	-	-	-	-	-	-	-	12
14	28.0	-	-	22.7	-	-	17.0	-	-	-	-	-	14
16	27.0	-	-	22.4	-	-	16.8	-	-	13.5	-	-	16
18	25.7	19.3	-	22.0	18.7	-	16.5	-	-	13.3	-	-	18
20	24.6	18.6	11.6	21.5	18.1	-	16.1	15.0	-	13.0	-	-	20
22	23.6	17.9	11.2	21.1	17.5	11.2	15.8	14.4	-	12.6	-	-	22
24	22.6	17.2	10.9	20.5	17.0	10.9	15.5	14.0	10.8	12.2	10.0	-	24
26	21.6	16.6	10.7	20.0	16.5	10.7	15.1	13.5	10.6	11.8	9.7	-	26
28	20.7	16.0	10.4	19.4	16.0	10.4	14.7	13.1	10.3	11.3	9.3	-	28
30	19.8	15.5	10.2	18.9	15.5	10.2	14.2	12.7	10.1	10.9	9.0	6.3	30
32	19.0	15.0	10.0	18.4	15.1	10.0	13.8	12.3	9.9	10.5	8.7	6.1	32
34	18.3	14.5	9.8	17.9	14.7	9.9	13.4	11.9	9.8	10.2	8.4	6.0	34
36	17.7	14.1	9.7	17.3	14.3	9.7	13.0	11.6	9.6	9.8	8.1	5.8	36
38	16.1	13.8	9.5	16.1	13.9	9.6	12.7	11.3	9.5	9.5	7.8	5.7	38
40	14.7	13.4	9.4	14.7	13.6	9.4	12.3	11.0	9.4	9.2	7.6	5.6	40
42	13.4	13.1	9.3	13.4	13.3	9.3	12.0	10.7	9.3	8.9	7.4	5.5	42
44	12.2	12.8	9.3	12.2	13.0	9.3	11.6	10.5	9.2	8.6	7.2	5.4	44
46	11.1	11.8	9.3	11.1	11.9	9.3	11.3	10.3	9.2	8.3	7.0	5.3	46
48	10.1	10.7	9.2	10.2	10.8	9.2	10.5	10.0	9.1	8.1	6.8	5.3	48
50	9.2	9.7	9.2	9.2	9.8	9.2	9.6	9.9	9.0	7.8	6.6	5.2	50
54	7.5	7.9	8.0	7.5	8.0	8.3	7.9	8.4	8.8	7.3	6.4	5.1	54
58	6.0	6.3	-	6.1	6.5	6.6	6.4	6.9	7.1	6.6	6.1	5.1	58
62	-	-	-	4.8	5.0	-	5.1	5.5	5.6	5.3	5.9	5.1	62
66	-	-	-	-	-	-	4.0	4.2	-	4.1	4.7	5.0	66
70	-	-	-	-	-	-	3.6	3.7	-	3.4	3.7	3.8	70
74	-	-	-	-	-	-	(68m)	(68m)	-	2.7	2.9	-	74
78	-	-	-	-	-	-	-	-	-	-	-	-	78

Jib height (m)	↙ 56.4m + 2.5m									↙ 56.4+ 2.5m		↙ 60.0 + 2.5m		Jib height (m)
	28m			35m			42m			49m	42m	49m		
	0°	20°	40°	0°	20°	40°	0°	20°	40°	0°	0°	0°		
	t	t	t	t	t	t	t	t	t	t	t	t		
16	-	-	-	-	-	-	-	-	-	-	-	-	16	
18	10.3	-	-	-	-	-	-	-	-	-	-	-	18	
20	10.2	-	-	8.2	-	-	-	-	-	-	-	-	20	
22	10.0	-	-	8.0	-	-	6.0	-	-	-	-	-	22	
24	9.7	-	-	7.8	-	-	6.0	-	-	4.0	5.0	-	24	
26	9.4	-	-	7.5	-	-	5.8	-	-	4.0	5.0	3.3	26	
28	9.0	7.2	-	7.1	-	-	5.6	-	-	3.9	4.9	3.3	28	
30	8.8	6.9	-	6.9	-	-	5.3	-	-	3.7	4.7	3.3	30	
32	8.5	6.7	-	6.6	-	-	5.0	-	-	3.6	4.5	3.2	32	
34	8.2	6.5	3.8	6.3	4.5	-	4.8	-	-	3.4	4.3	3.0	34	
36	7.9	6.3	3.7	6.1	4.4	-	4.6	-	-	3.3	4.1	2.9	36	
38	7.6	6.1	3.6	5.8	4.2	-	4.3	2.9	-	3.1	3.9	2.8	38	
40	7.3	5.9	3.5	5.6	4.1	2.2	4.1	2.8	-	3.0	3.8	2.7	40	
42	7.1	5.7	3.4	5.4	3.9	2.2	4.0	2.7	-	2.9	3.6	2.5	42	
44	6.8	5.5	3.4	5.2	3.8	2.1	3.8	2.6	-	2.7	3.4	2.4	44	
46	6.6	5.4	3.3	4.9	3.6	2.1	3.6	2.5	-	2.6	3.3	2.3	46	
48	6.4	5.2	3.3	4.7	3.5	2.0	3.5	2.4	-	2.4	3.2	2.2	48	
50	6.2	5.1	3.2	4.5	3.4	2.0	3.3	2.3	-	2.3	3.0	2.1	50	
54	5.8	4.8	3.1	4.2	3.2	1.9	3.1	2.2	-	2.1	2.8	1.9	54	
58	5.5	4.5	3.1	4.0	3.0	1.8	2.9	2.0	-	1.9	2.6	1.7	58	
62	5.2	4.4	3.0	3.7	2.9	1.8	2.7	1.9	-	1.7	2.4	-	62	
66	4.5	4.2	3.0	3.5	2.8	1.8	2.5	1.8	-	1.5	2.2	-	66	
70	3.6	4.0	3.0	3.3	2.6	1.7	2.3	1.6	-	1.4	2.1	-	70	
74	3.0	3.4	3.0	3.0	2.5	1.7	2.2	1.6	-	1.3	1.9	-	74	
78	2.4	2.7	3.0	2.4	2.4	1.7	2.0	1.5	-	(72m)	1.8	-	78	
82	1.8	2.0	(76m)	1.8	2.3	1.7	1.9	1.4	-	-	1.6	-	82	
86	-	-	-	1.4	1.7	1.7	1.4	1.3	-	-	1.2	-	86	
90	-	-	-	1.1	1.4	(84m)	1.0	1.2	-	-	-	-	90	
94	-	-	-	(88m)	(88m)	-	-	1.1	-	-	-	-	94	
98	-	-	-	-	-	-	-	(92m)	-	-	-	-	98	

Values in brackets below or above load capacity, indicate exact radius. / Les valeurs entre parenthèses () notées au-dessus ou en-dessous des capacités, indiquent les portées exactes (pour les dernières). / Die Werten in Klammern unten oder oben den Tragfähigkeiten bedeuten die genaue Ausladung. / Waarden tussen haakjes () onder of boven capaciteiten geven de exacte radius aan.
!* Main boom guyed at 4th telescope / Flèche principale haubanée au 4ième telescope / Hauptausleger abgespannt am 4en Teleskop / Afspanning 4de telescoop



TN + TAN



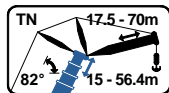


LIEBHERR LTM 1300/1

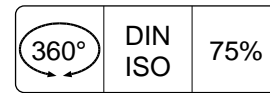
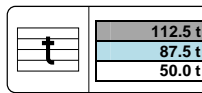
300 TON

Lifting capacities at luffing fly jib (excl.hook block etc.)
Capacités à la volée variable

Tragfähigkeiten am wippbaren Hilfsausleger
Capaciteiten aan de beweegbare hulpgiëk



TN 82°



m	↗ 15.0 m + 4 m										↗ 25.4 m + 4 m									
	17.5	21.0	28.0	35.0	42.0	49.0	56.0	63.0	70.0		17.5	21.0	28.0	35.0	42.0	49.0	56.0	63.0	70.0	
t	t	t	t	t	t	t	t	t	t		t	t	t	t	t	t	t	t	t	t
9.0	70.0	-	-	-	-	-	-	-	-		-	-	-	-	-	-	-	-	-	
10.0	67.0	63.0	-	-	-	-	-	-	-		55.0	-	-	-	-	-	-	-	-	
12.0	61.0	58.0	48.5	-	-	-	-	-	-		55.0	46.0	-	-	-	-	-	-	-	
14.0	57.0	53.0	47.0	38.0	-	-	-	-	-		55.0	46.0	36.5	-	-	-	-	-	-	
16.0	55.0	50.0	44.5	37.0	29.8	-	-	-	-		54.0	46.0	36.5	28.0	-	-	-	-	-	
18.0	45.5	47.5	42.5	36.0	29.1	-	-	-	-		50.0	46.0	36.0	28.0	22.0	-	-	-	-	
20.0	-	44.0	40.5	34.5	28.6	22.6	-	-	-		45.5	45.0	35.0	28.0	22.0	16.9	-	-	-	
22.0	-	34.0	38.0	33.5	27.9	22.6	17.3	-	-		-	42.0	34.0	27.6	22.0	16.9	12.8	-	-	
24.0	-	-	34.5	32.0	27.2	22.2	17.3	13.0	-		-	-	33.5	27.0	21.8	16.9	12.8	-	-	
26.0	-	-	30.5	30.5	26.6	21.6	17.3	13.0	9.8		-	-	33.0	26.3	21.4	16.9	12.8	10.0	-	
28.0	-	-	24.6	28.2	25.8	20.9	17.1	13.0	9.5		-	-	30.5	25.7	21.0	16.9	12.8	10.0	7.3	
30.0	-	-	-	26.1	24.9	20.3	16.7	13.0	9.3		-	-	25.2	25.2	20.5	16.8	12.8	10.0	7.3	
32.0	-	-	-	23.7	23.2	19.7	16.2	12.8	9.0		-	-	-	24.7	20.0	16.4	12.8	10.0	7.3	
34.0	-	-	-	19.6	21.6	19.1	15.7	12.6	8.8		-	-	-	24.2	19.5	15.9	12.8	10.0	7.3	
36.0	-	-	-	-	20.2	18.6	15.2	12.3	8.5		-	-	-	20.3	19.0	15.5	12.6	10.0	7.3	
38.0	-	-	-	-	19.1	18.0	14.8	12.0	8.3		-	-	-	-	18.6	15.1	12.3	10.0	7.2	
40.0	-	-	-	-	16.7	16.8	14.4	11.7	8.1		-	-	-	-	18.2	14.8	12.0	9.8	7.0	
44.0	-	-	-	-	14.1	15.1	13.6	11.0	7.7		-	-	-	-	-	14.2	11.4	9.3	6.7	
48.0	-	-	-	-	(42)	11.8	12.6	10.5	7.4		-	-	-	-	13.7	10.9	8.9	6.5		
52.0	-	-	-	-	-	-	11.5	10.3	7.2		-	-	-	-	11.7	10.7	8.6	6.4		
56.0	-	-	-	-	-	-	10.1	9.8	7.1		-	-	-	-	(50)	10.5	8.5	6.3		
60.0	-	-	-	-	-	-	(54)	8.6	6.5		-	-	-	-	-	-	8.4	6.2		
64.0	-	-	-	-	-	-	-	7.2	6.0		-	-	-	-	-	-	7.2	5.9		
68.0	-	-	-	-	-	-	-	(62)	5.5		-	-	-	-	-	-	-	5.5		
70.0	-	-	-	-	-	-	-	-	-		-	-	-	-	-	-	-	5.3		

m	↗ 35.7 m + 4 m								
	17.5	21.0	28.0	35.0	42.0	49.0	56.0	63.0	70.0
t	t	t	t	t	t	t	t	t	t
12.0	38.0	-	-	-	-	-	-	-	-
14.0	38.0	32.5	-	-	-	-	-	-	-
16.0	38.0	32.5	25.4	-	-	-	-	-	-
18.0	36.5	32.5	25.4	19.9	-	-	-	-	-
20.0	35.0	32.5	25.4	19.9	15.5	-	-	-	-
22.0	-	31.5	25.4	19.9	15.5	11.7	-	-	-
24.0	-	30.5	25.1	19.9	15.5	11.7	-	-	-
26.0	-	-	24.7	19.9	15.5	11.7	9.1	-	-
28.0	-	-	24.4	19.6	15.5	11.7	9.1	6.6	-
30.0	-	-	24.3	19.3	15.5	11.7	9.1	6.6	4.7
32.0	-	-	-	19.1	15.5	11.7	9.1	6.6	4.7
34.0	-	-	-	18.8	15.3	11.7	9.1	6.6	4.7
36.0	-	-	-	18.6	15.0	11.7	9.1	6.6	4.7
38.0	-	-	-	18.4	14.8	11.7	9.1	6.6	4.7
40.0	-	-	-	-	14.5	11.6	9.1	6.6	4.7
44.0	-	-	-	-	14.2	11.2	9.0	6.6	4.7
48.0	-	-	-	-	-	10.8	8.6	6.6	4.7
52.0	-	-	-	-	-	10.8	8.4	6.6	4.7
56.0	-	-	-	-	-	-	8.4	6.5	4.7
60.0	-	-	-	-	-	-	8.4	6.5	4.7
64.0	-	-	-	-	-	-	(58)	6.5	4.7
68.0	-	-	-	-	-	-	-	4.7	
72.0	-	-	-	-	-	-	-	4.7	
76.0	-	-	-	-	-	-	-	-	

Values in brackets below or above load capacity, indicate exact radius. / Les valeurs entre parenthèses () notées au-dessus ou en-dessous des capacités, indiquent les portées exactes (pour les dernières).
/ Die Werten in Klammern unten oder oben den Tragfähigkeiten bedeuten die genaue Ausladung. / Waarden tussen haakjes () onder of boven capaciteiten geven de exacte radius aan.
*Duty charts 74°- 66° on request / Charges 74°- 66° sur demande / Tragfähigkeiten 74°- 66° auf anfrage / Lasttabellen 74°- 66° op aanvraag.

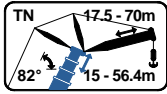


LIEBHERR LTM 1300/1

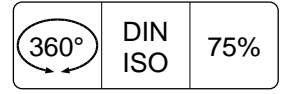
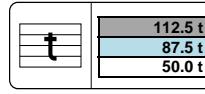
300 TON

Lifting capacities at luffing fly jib (excl.hook block etc.)
Capacités à la volée variable

Tragfähigkeiten am wippbaren Hilfsausleger
Capaciteiten aan de beweegbare hulpjiek



TN 82°



m	↗ 46.1 m + 4 m										↗ 56.4 m + 4 m									
	17.5	21.0	28.0	35.0	42.0	49.0	56.0	63.0	70.0		17.5	21.0	28.0	35.0	42.0	49.0	56.0	63.0	70.0	
t	t	t	t	t	t	t	t	t	t	t	t	t	t	t	t	t	t	t	t	
16.0	22.8	19.5	-	-	-	-	-	-	-	-	-	-	-	-	-	-	-	-	-	
18.0	22.8	19.5	14.7	-	-	-	-	-	-	13.7	11.8	-	-	-	-	-	-	-	-	
20.0	22.8	19.5	14.7	11.0	-	-	-	-	-	13.7	11.8	8.5	-	-	-	-	-	-	-	
22.0	22.8	19.5	14.7	11.0	8.3	-	-	-	-	13.7	11.8	8.5	6.2	-	-	-	-	-	-	
24.0	-	19.5	14.7	11.0	8.3	6.0	-	-	-	13.5	11.8	8.5	6.2	-	-	-	-	-	-	
26.0	-	19.5	14.7	11.0	8.3	6.0	-	-	-	-	11.8	8.5	6.2	4.4	-	-	-	-	-	
28.0	-	-	14.7	11.0	8.3	6.0	4.2	-	-	-	11.6	8.5	6.2	4.4	3.0	-	-	-	-	
30.0	-	-	14.7	11.0	8.3	6.0	4.2	2.8	-	-	-	8.5	6.2	4.4	3.0	1.8	-	-	-	
32.0	-	-	14.7	11.0	8.3	6.0	4.2	2.8	1.7	-	-	8.5	6.2	4.4	3.0	1.8	-	-	-	
34.0	-	-	-	11.0	8.3	6.0	4.2	2.8	1.7	-	-	8.5	6.2	4.4	3.0	1.8	-	-	-	
36.0	-	-	-	11.0	8.3	6.0	4.2	2.8	1.7	-	-	-	6.2	4.4	3.0	1.8	-	-	-	
38.0	-	-	-	11.0	8.3	6.0	4.2	2.8	1.7	-	-	-	6.2	4.4	3.0	1.8	-	-	-	
40.0	-	-	-	11.0	8.3	6.0	4.2	2.8	1.7	-	-	-	6.2	4.4	3.0	1.8	-	-	-	
44.0	-	-	-	-	8.3	6.0	4.2	2.8	1.7	-	-	-	-	4.4	3.0	1.8	-	-	-	
48.0	-	-	-	-	-	6.0	4.2	2.8	1.7	-	-	-	-	4.4	3.0	1.8	-	-	-	
52.0	-	-	-	-	-	6.0	4.2	2.8	1.7	-	-	-	-	-	3.0	1.8	-	-	-	
56.0	-	-	-	-	-	-	4.2	2.8	1.7	-	-	-	-	-	-	1.8	-	-	-	
60.0	-	-	-	-	-	-	4.2	2.8	1.7	-	-	-	-	-	-	1.8	-	-	-	
64.0	-	-	-	-	-	-	-	2.8	1.7	-	-	-	-	-	-	-	-	-	-	
68.0	-	-	-	-	-	-	-	2.8	1.7	-	-	-	-	-	-	-	-	-	-	
72.0	-	-	-	-	-	-	-	(66)	1.7	-	-	-	-	-	-	-	-	-	-	

Values in brackets below or above load capacity, indicate exact radius. / Les valeurs entre parenthèses () notées au-dessus ou en-dessous des capacités, indiquent les portées exactes (pour les dernières).
/ Die Werten in Klammern unten oder oben den Tragfähigkeiten bedeuten die genaue Ausladung. / Waarden tussen haakjes () onder of boven capaciteiten geven de exacte radius aan.
*Duty charts 74°- 66° on request / Charges 74°- 66° sur demande / Tragfähigkeiten 74°- 66° auf anfrage / Lasttabellen 74°- 66° op aanvraag.

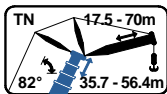


LIEBHERR LTM 1300/1

300 TON

Lifting capacities at luffing fly jib (excl. hook block etc.)
Capacités à la volée variable

Tragfähigkeiten am wippbaren Hilfsausleger
Capaciteiten aan de beweegbare hulpgiëk



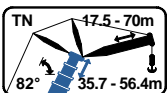
TAN 82° !*



112.5 t
87.5 t
50.0 t

360°	DIN ISO	75%
------	---------	-----

m	↕ 35.7 m + 4 m									
	17.5	21.0	28.0	35.0	42.0	49.0	56.0	63.0	70.0	
	m	m	m	m	m	m	m	m	m	m
	t	t	t	t	t	t	t	t	t	t
14.0	-	31.0	-	-	-	-	-	-	-	-
16.0	-	30.5	24.7	-	-	-	-	-	-	-
18.0	-	30.5	24.4	19.6	-	-	-	-	-	-
20.0	-	30.0	24.1	19.6	15.3	-	-	-	-	-
22.0	-	30.0	23.9	19.5	15.3	11.6	-	-	-	-
24.0	-	30.0	23.7	19.3	15.3	11.6	-	-	-	-
26.0	-	-	23.5	19.1	15.3	11.6	9.0	-	-	-
28.0	-	-	23.4	19.0	15.3	11.6	9.0	6.6	-	-
30.0	-	-	23.4	18.7	15.3	11.6	9.0	6.6	4.6	-
32.0	-	-	-	18.4	15.1	11.6	9.0	6.6	4.6	-
34.0	-	-	-	18.2	14.8	11.6	9.0	6.6	4.6	-
36.0	-	-	-	18.0	14.6	11.6	9.0	6.6	4.6	-
38.0	-	-	-	17.8	14.3	11.5	9.0	6.6	4.6	-
40.0	-	-	-	-	14.0	11.3	9.0	6.6	4.6	-
44.0	-	-	-	-	13.2	10.8	8.7	6.6	4.6	-
48.0	-	-	-	-	-	10.4	8.4	6.6	4.6	-
52.0	-	-	-	-	-	10.0	8.0	6.4	4.6	-
56.0	-	-	-	-	-	-	7.6	6.3	4.6	-
60.0	-	-	-	-	-	-	7.4	6.3	4.6	-
64.0	-	-	-	-	-	-	(58)	6.3	4.6	-
68.0	-	-	-	-	-	-	-	-	4.6	-
72.0	-	-	-	-	-	-	-	-	-	4.6



TAN 82° !**



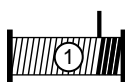
112.5 t
87.5 t
50.0 t

360°	DIN ISO	75%
------	---------	-----

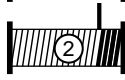
m	↕ 46.1 m + 4 m										↕ 56.4 m + 4 m								
	17.5	21.0	28.0	35.0	42.0	49.0	56.0	63.0	70.0		17.5	21.0	28.0	35.0	42.0	49.0	56.0	63.0	70.0
	m	m	m	m	m	m	m	m	m	m	m	m	m	m	m	m	m	m	m
	t	t	t	t	t	t	t	t	t	t	t	t	t	t	t	t	t	t	t
14.0	-	-	-	-	-	-	-	-	-	-	-	-	-	-	-	-	-	-	-
16.0	-	18.6	-	-	-	-	-	-	-	-	-	-	-	-	-	-	-	-	-
18.0	-	18.5	14.2	-	-	-	-	-	-	-	-	10.6	-	-	-	-	-	-	-
20.0	-	18.4	14.2	10.6	-	-	-	-	-	-	-	10.5	8.1	-	-	-	-	-	-
22.0	-	18.3	14.2	10.6	8.0	-	-	-	-	-	-	10.4	8.0	5.9	-	-	-	-	-
24.0	-	18.3	14.2	10.6	8.0	5.9	-	-	-	-	-	10.4	7.9	5.9	4.2	-	-	-	-
26.0	-	18.3	14.2	10.6	8.0	5.9	-	-	-	-	-	10.3	7.8	5.9	4.2	-	-	-	-
28.0	-	-	14.2	10.6	8.0	5.9	4.1	-	-	-	-	10.3	7.8	5.9	4.2	2.8	-	-	-
30.0	-	-	14.1	10.6	8.0	5.9	4.1	2.7	-	-	-	-	7.7	5.9	4.2	2.8	1.7	-	-
32.0	-	-	14.1	10.6	8.0	5.9	4.1	2.7	1.6	-	-	-	7.6	5.8	4.2	2.8	1.7	-	-
34.0	-	-	-	10.6	8.0	5.9	4.1	2.7	1.6	-	-	-	7.6	5.7	4.2	2.8	1.7	-	-
36.0	-	-	-	10.6	8.0	5.9	4.1	2.7	1.6	-	-	-	-	5.7	4.2	2.8	1.7	-	-
38.0	-	-	-	10.6	8.0	5.9	4.1	2.7	1.6	-	-	-	-	5.7	4.2	2.8	1.7	-	-
40.0	-	-	-	-	8.0	5.9	4.1	2.7	1.6	-	-	-	-	5.7	4.2	2.8	1.7	-	-
44.0	-	-	-	-	8.0	5.9	4.1	2.7	1.6	-	-	-	-	-	4.1	2.8	1.7	-	-
48.0	-	-	-	-	-	5.9	4.1	2.7	1.6	-	-	-	-	-	4.1	2.8	1.7	-	-
52.0	-	-	-	-	-	5.9	4.1	2.7	1.6	-	-	-	-	-	-	2.8	1.7	-	-
56.0	-	-	-	-	-	-	4.1	2.7	1.6	-	-	-	-	-	-	2.8	1.7	-	-
60.0	-	-	-	-	-	-	4.1	2.7	1.6	-	-	-	-	-	-	(54)	1.7	-	-
64.0	-	-	-	-	-	-	-	2.7	1.6	-	-	-	-	-	-	-	-	-	-
68.0	-	-	-	-	-	-	-	-	2.7	1.6	-	-	-	-	-	-	-	-	-
72.0	-	-	-	-	-	-	-	-	(66)	1.6	-	-	-	-	-	-	-	-	-

* Main boom guyed at 2nd telescope / Flèche principale haubanée au 2ième telescope / Haupausleger abgespannt am 2en Teleskop / Afspanning 2de telescoop
 !** Main boom guyed at 3th telescope / Flèche principale haubanée au 3ième telescope / Haupausleger abgespannt am 3en Teleskop / Afspanning 3de telescoop

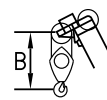
*Duty charts 74°- 66° on request / Charges 74°- 66° sur demande / Tragfähigkeiten 74°- 66° auf anfrage / Lasttabellen 74°- 66° op aanvraag.



105kN/ Ø 23mm



105kN/ Ø 23mm



Unterflasche/Hakengehän
Kraanblok/Kraanhaak

Hook block/Crane hook
Crochet-mouflé/Crochet simple

Capacity / Capacité Tragfähigkeit / Capaciteit	Number of sheaves / Nombre de poulies Anzahl der Rollen / Aantal schijven	Number of lines / Nombre de brins Strangzahl / Aantal parten	Weight / Poids Gewicht / Gewicht	"B"
SWL 108 t	5	10	1450 kg	3.0 m
SWL 71 t	3	6	1000 kg	3.0 m
SWL 32 t	1	3	840 kg	2.7 m