

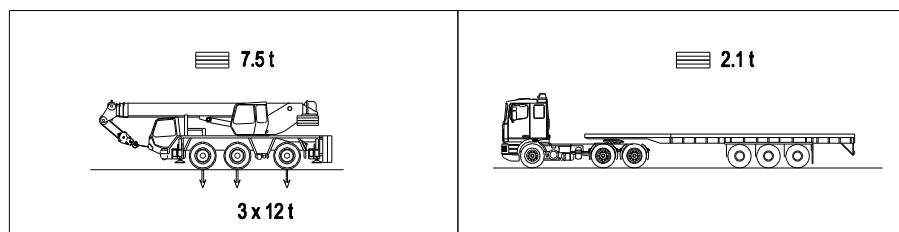
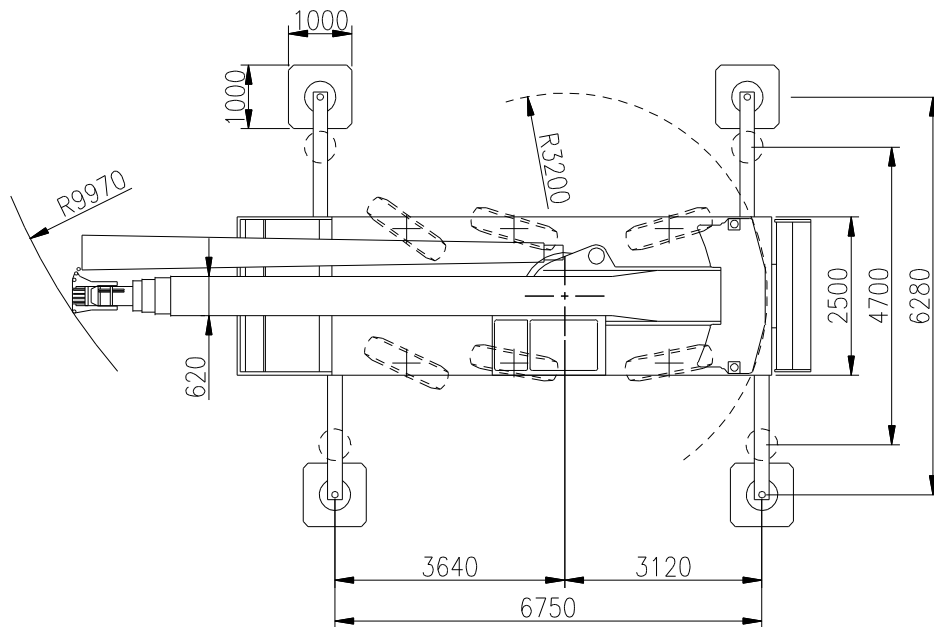
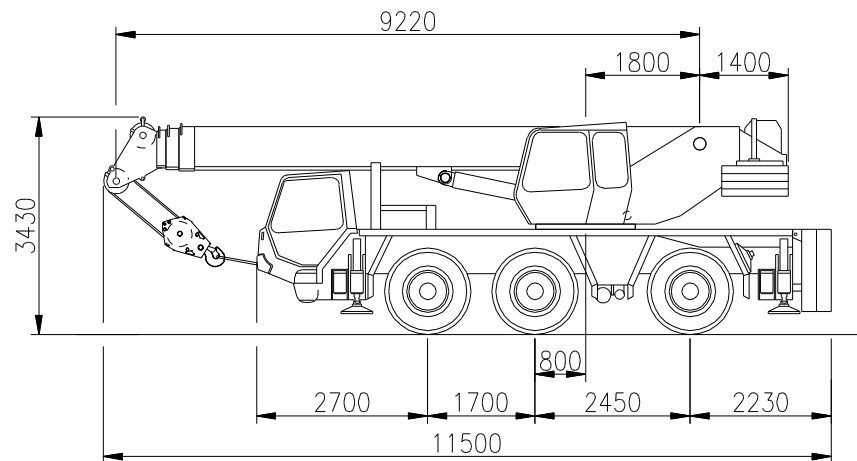


**sarens**  
group

[www.sarens.com](http://www.sarens.com)

## FAUN RTF 40-3

## 40 TON





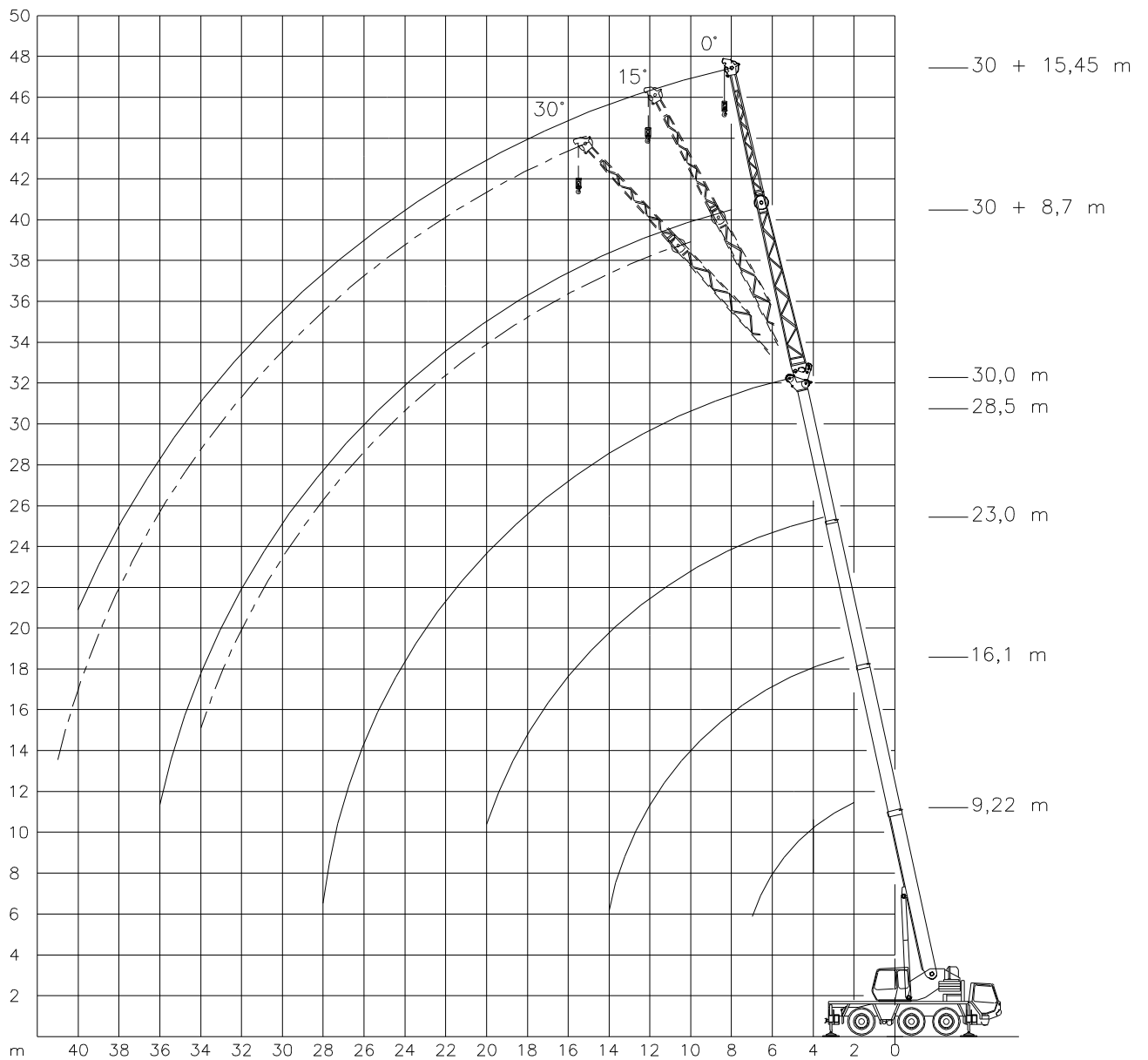
# Faun RTF 40-3

Working ranges  
Portées

# 40 TON

Arbeitsbereiche  
Werkbereich

## T/TK



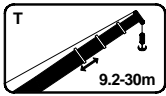


# Faun RTF 40-3

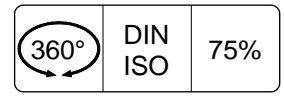
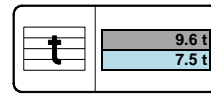
# 40 TON

Lifting capacities at main boom  
Capacités à la flèche principale

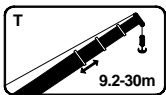
Tragfähigkeiten am Hauptausleger  
Capaciteiten aan de hoofdgiel



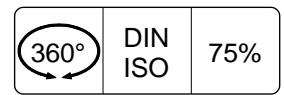
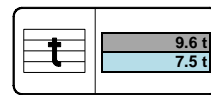
T



m	9.22m		16.10m		23m		28.5m		30m		m
	t	t	t	t	t	t	t	t	t		
2.5	40.0*	20.0	-	-	-	-	-	-	-	2.5	
3	35.0	20.0	-	-	-	-	-	-	-	3	
3.5	31.7	20.0	13.5	-	-	-	-	-	-	3.5	
4	29.0	20.0	13.5	-	-	-	-	-	-	4	
4.5	26.5	20.0	13.5	-	-	-	-	-	-	4.5	
5	23.8	20.0	13.5	10.0	9.0	-	-	-	-	5	
6	19.6	19.3	13.5	10.0	9.0	10.0	10.0	9.0	9.0	6	
7	16.6	16.2	13.5	10.0	9.0	10.0	10.0	9.0	9.0	7	
8	-	14.0	12.6	10.0	9.0	10.0	10.0	9.0	9.0	8	
9	-	12.2	10.9	10.0	9.0	10.0	10.0	9.0	9.0	9	
10	-	10.7	9.8	9.1	8.7	9.1	8.3	8.0	8.7	10	
11	-	9.1	8.7	8.3	8.0	8.3	7.6	7.4	8.0	11	
12	-	7.9	7.7	7.6	7.4	7.6	7.0	6.8	7.4	12	
13	-	6.9	6.8	7.0	6.8	7.0	6.4	6.3	6.8	13	
14	-	6.1	6.0	6.4	6.3	6.4	5.6	5.8	6.3	14	
15	-	-	5.3	5.6	5.8	5.6	5.1	5.2	5.8	15	
16	-	-	4.7	5.1	5.2	5.1	4.6	4.6	5.2	16	
17	-	-	4.2	4.6	4.6	4.6	4.1	4.2	4.6	17	
18	-	-	3.8	4.1	4.2	4.1	3.7	3.8	4.2	18	
19	-	-	3.4	3.7	3.8	3.7	3.4	3.8	3.8	19	
20	-	-	3.1	3.3	3.4	3.3	3.1	3.4	3.4	20	
21	-	-	2.8	3.1	3.1	3.1	2.8	3.1	3.1	21	
22	-	-	-	2.8	2.9	2.8	2.6	2.6	2.9	22	
23	-	-	-	2.6	2.6	2.6	2.4	2.4	2.6	23	
24	-	-	-	2.4	2.4	2.4	2.2	2.3	2.4	24	
25	-	-	-	2.2	2.3	2.3	2.0	2.1	2.3	25	
26	-	-	-	2.0	2.1	2.1	-	1.9	2.1	26	
27	-	-	-	-	1.9	1.9	-	-	1.9	27	



T



m	9.22m		16.10m		23m		28.5m		30m		m
	t	t	t	t	t	t	t	t	t		
2.5	37.7*	20.0	-	-	-	-	-	-	-	2.5	
3	33.6	20.0	-	-	-	-	-	-	-	3	
3.5	30.4	20.0	13.5	-	-	-	-	-	-	3.5	
4	27.6	20.0	13.5	-	-	-	-	-	-	4	
4.5	25.3	20.0	13.5	-	-	-	-	-	-	4.5	
5	23.3	20.0	13.5	10.0	9.0	-	-	-	-	5	
6	17.8	17.5	13.5	10.0	9.0	10.0	10.0	9.0	9.0	6	
7	13.4	13.2	13.0	10.0	9.0	10.0	10.0	9.0	9.0	7	
8	-	10.7	10.5	10.0	9.0	10.0	10.0	9.0	9.0	8	
9	-	8.8	8.6	9.0	9.0	9.0	9.0	9.0	9.0	9	
10	-	7.4	7.2	7.6	7.6	7.6	7.6	7.6	7.6	10	
11	-	6.3	6.1	6.4	6.5	6.4	6.5	6.5	6.5	11	
12	-	5.4	5.3	5.6	5.7	5.6	5.7	5.7	5.7	12	
13	-	4.7	4.5	4.9	5.0	4.9	5.0	5.0	5.0	13	
14	-	4.2	4.0	4.3	4.4	4.3	4.4	4.4	4.4	14	
15	-	-	3.5	3.8	3.9	3.8	3.9	3.9	3.9	15	
16	-	-	3.0	3.4	3.5	3.4	3.5	3.5	3.5	16	
17	-	-	2.7	3.0	3.1	3.0	3.1	3.1	3.1	17	
18	-	-	2.4	2.7	2.8	2.7	2.8	2.8	2.8	18	
19	-	-	2.1	2.4	2.5	2.4	2.5	2.5	2.5	19	
20	-	-	1.9	2.2	2.3	2.2	2.3	2.3	2.3	20	
21	-	-	1.7	2.0	2.1	2.0	2.1	2.1	2.1	21	
22	-	-	-	1.8	1.9	1.8	1.9	1.9	1.9	22	
23	-	-	-	1.6	1.7	1.6	1.7	1.7	1.7	23	
24	-	-	-	1.4	1.5	1.4	1.5	1.5	1.5	24	
25	-	-	-	1.3	1.4	1.3	1.4	1.4	1.4	25	
26	-	-	-	1.2	1.2	1.2	1.2	1.2	1.2	26	
27	-	-	-	-	1.1	-	-	-	1.1	27	

\*Special attachment required / Sonderausrüstung erforderlich / Nécessite équipement spécial / Speciale uitrusting benodigd.

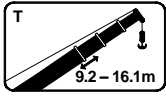


# Faun RTF 40-3

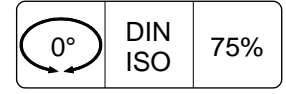
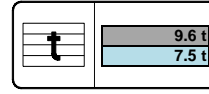
# 40 TON

Lifting capacities at folding jib  
Capacités à la fléchette pliante

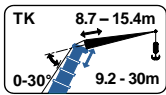
Tragfähigkeiten am wippbarer Klappspitze  
Capaciteiten aan de klapjib



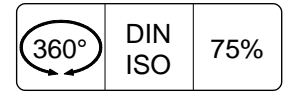
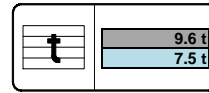
T



	9.2m		16.1m		
	0°		0°		
	t	t	t	t	
2.5	15.1		11.0		2.5
3	13.9		11.0		3
3.5	12.3		11.0		3.5
4	11.1		11.0		4
4.5	10.0		10.0		4.5
5	9.1		9.1		5
6	7.7		7.7		6
7	6.6		6.6		7
8	-		5.7		8
9	-		5.0		9
10	-		4.4		10
11	-		3.9		11
12	-		3.5		12
13	-		3.0		13
14	-		2.6		14



TK



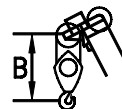
	↕ 9.2 - 30.0m						
	8.7 m			15.4 m			
	0°	15°	30°	0°	15°	30°	
	t	t	t	t	t	t	
8	4.7	-	-	2.6	-	-	8
9	4.6	3.4	-	2.6	-	-	9
10	4.4	3.4	2.6	2.6	-	-	10
11	4.3	3.3	2.6	2.6	-	-	11
12	4.1	3.2	2.6	2.6	1.8	-	12
13	4.0	3.1	2.5	2.5	1.8	-	13
14	3.9	3.0	2.5	2.3	1.7	-	14
15	3.7	2.9	2.4	2.1	1.7	1.4	15
16	3.6	2.8	2.4	2.0	1.6	1.4	16
17	3.4	2.8	2.3	1.9	1.5	1.3	17
18	3.3	2.7	2.3	1.9	1.5	1.3	18
19	3.2	2.6	2.2	1.8	1.4	1.2	19
20	3.0	2.5	2.2	1.8	1.4	1.1	20
21	2.8	2.5	2.1	1.7	1.3	1.1	21
22	2.7	2.4	2.0	1.7	1.3	1.1	22
23	2.5	2.3	2.0	1.6	1.3	1.0	23
24	2.4	2.2	2.0	1.5	1.2	1.0	24
25	2.3	2.1	1.9	1.5	1.2	1.0	25
26	2.1	2.0	1.9	1.4	1.1	1.0	26
27	2.0	1.9	1.9	1.4	1.1	0.9	27
28	1.8	1.9	1.8	1.3	1.1	0.9	28
29	1.7	1.8	1.8	1.3	1.0	0.9	29
30	1.5	1.6	1.7	1.2	1.0	0.9	30
31	1.4	1.5	1.5	1.2	1.0	0.9	31
32	1.3	1.4	1.4	1.1	1.0	0.8	32
33	1.2	1.3	1.3	1.1	0.9	0.8	33
34	1.1	1.1	1.1	1.0	0.9	0.8	34
35	1.0	1.0	1.0	1.0	0.9	0.8	35
36	0.9	0.9	-	1.0	0.9	0.8	36
37	-	-	-	0.9	0.8	0.8	37
38	-	-	-	0.8	0.8	0.7	38
39	-	-	-	0.7	0.8	0.7	39
40	-	-	-	0.7	0.7	0.7	40
41	-	-	-	0.6	0.7	0.6	41
42	-	-	-	0.6	0.6	0.5	42
43	-	-	-	0.5	0.5	-	43

Hook block/Crane hook

Crochet-moufflé/Crochet simple



45kN Ø 16mm



Unterflasche/Hakengehänge

Kraanblok/Kraanhaak

Capacity / Capacité Tragfähigkeit / Capaciteit	Number of sheaves / Nombre de poulies Anzahl der Rollen / Aantal schijven	Number of lines / Nombre de brins Strangzahl / Aantal parten	Weight / Poids Gewicht / Gewicht	"B"
SWL 32t	3	7	350 kg	2.6 m
SWL 4 t	-	1	75 kg	1.9 m