

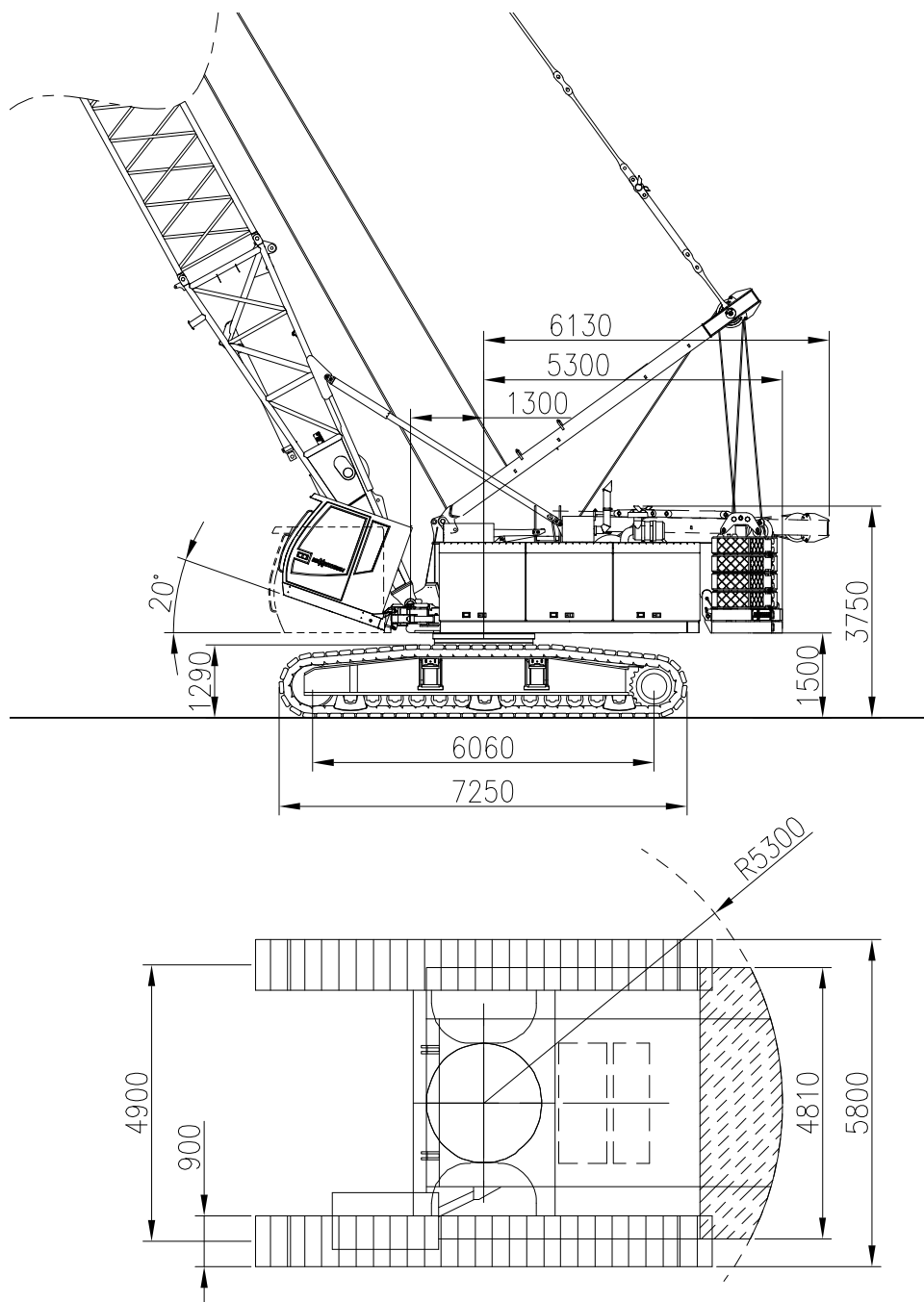


**sarens**  
group

[www.sarens.com](http://www.sarens.com)

## SENNEBOGEN 3300-R SL

### 125 TON



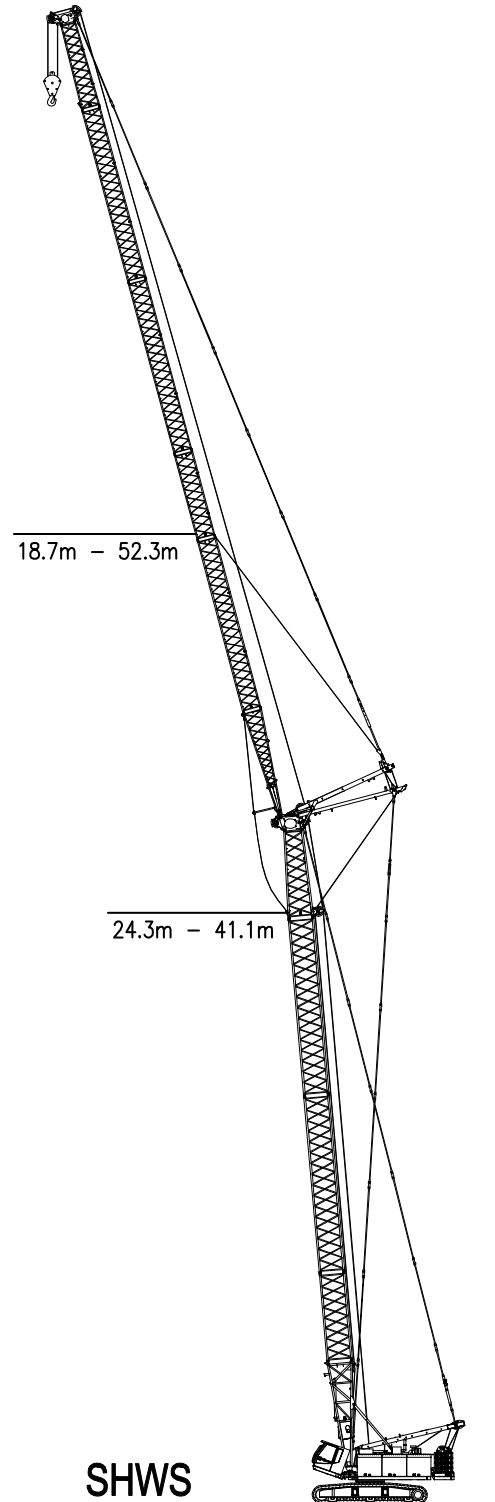
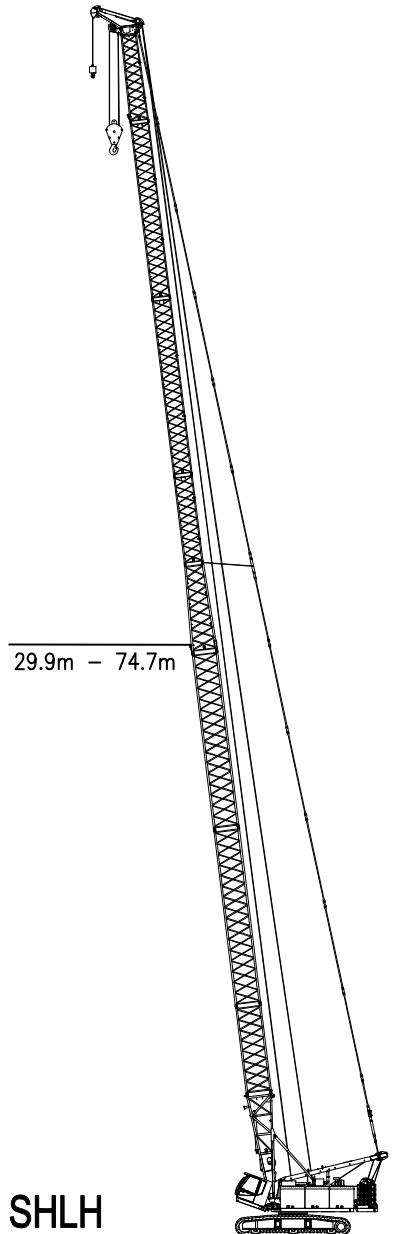
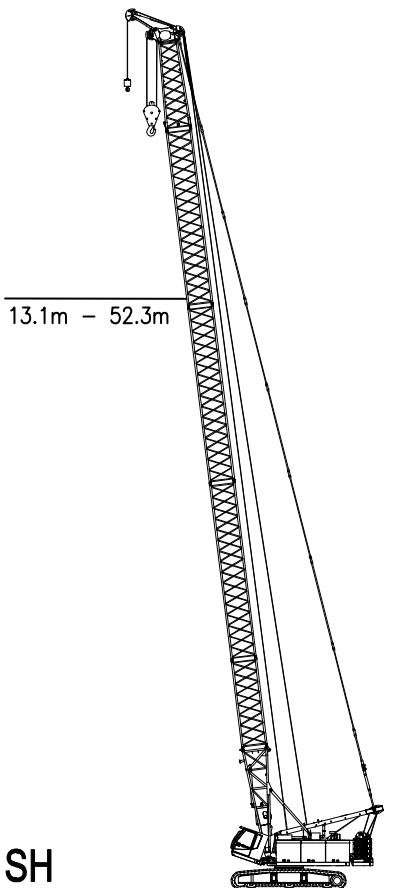


# SENNEBOGEN 3300-R SL

## 125 TON

Configurations  
Configurations

Konfigurationen  
Configuraties





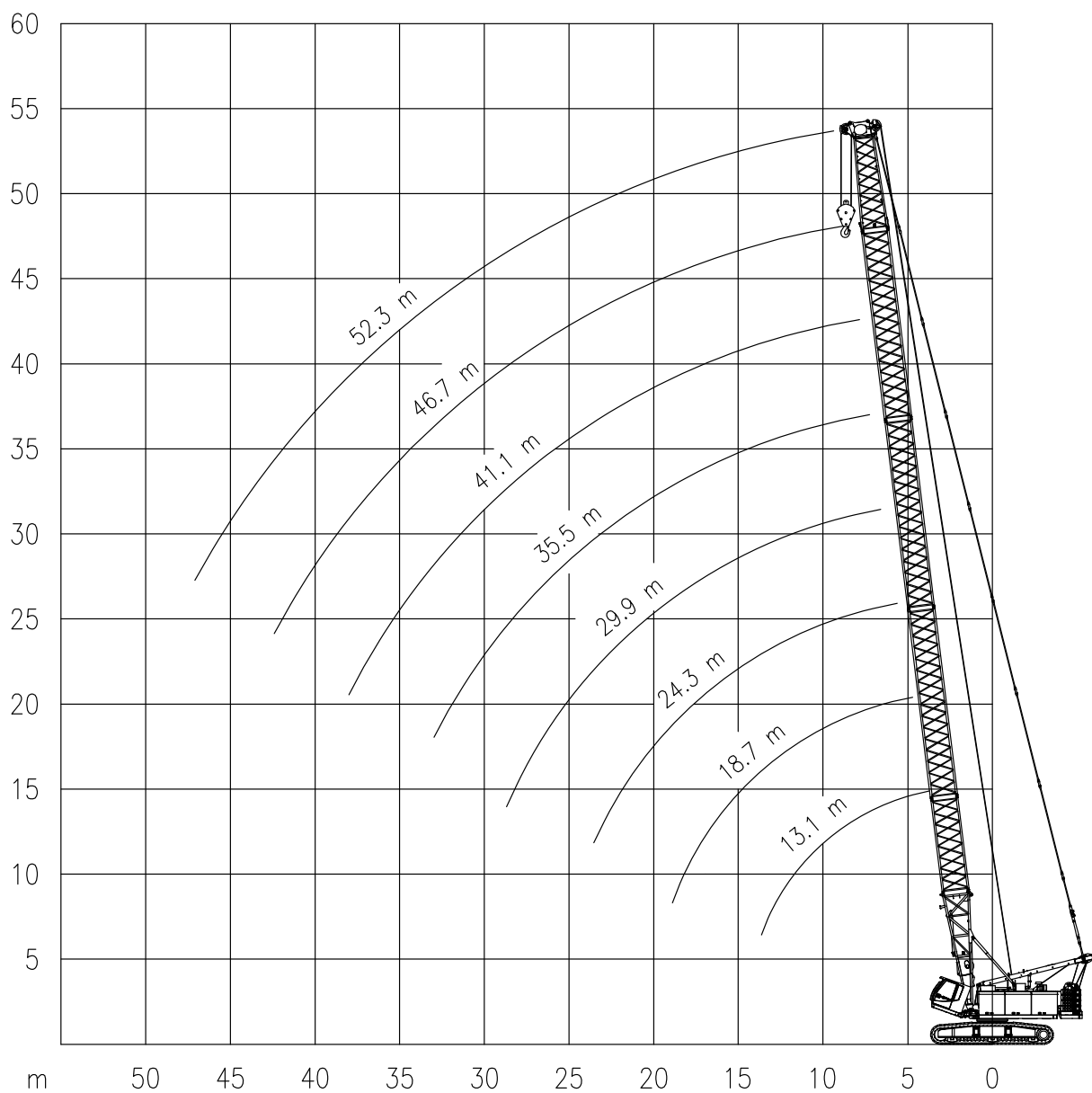
# SENNEBOGEN 3300-R SL

# 125 TON

Working ranges of main boom  
Portées de la flèche principale

Arbeitsbereiche mit Hauptausleger  
Werkbereich van de Hoofdgiek

## SH



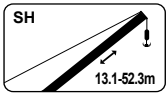


# SENNEBOGEN 3300-R SL

# 125 TON

Lifting capacities at main boom  
Capacités à la flèche principale

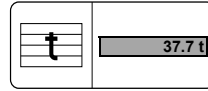
Tragfähigkeiten am Hauptausleger  
Capaciteiten aan de hoofdgiëk



SH



4.9m



37.7 t



360°

DIN  
ISO

75%

	13.1m	18.7m	24.3m	29.9m	35.5m	41.1m	46.7m	52.3m	
	t	t	t	t	t	t	t	t	
3.0	-	(4.6)	-	-	-	-	-	-	3.0
4.0	125* / 110.0	106.0	(5.2)	(5.9)	-	-	-	-	4.0
5.0	103.0	103.0	93.6	74.0	(6.6)	-	-	-	5.0
6.0	85.0	84.9	80.3	73.2	59.5	(7.3)	-	-	6.0
7.0	72.0	71.9	67.6	63.2	57.2	47.2	-	(8.7)	7.0
8.0	58.3	58.2	58.0	54.9	51.6	44.9	38.0	30.4	8.0
9.0	48.9	48.7	48.5	48.4	46.0	41.7	36.0	29.9	9.0
10.0	42.0	41.8	41.5	41.3	41.2	38.6	33.9	28.6	10.0
11.0	36.7	36.5	36.2	36.0	35.9	35.4	31.8	27.2	11.0
12.0	32.5	32.3	32.0	31.8	31.7	31.5	29.8	25.9	12.0
13.0	29.2	28.9	28.6	28.4	28.2	28.1	27.7	24.6	13.0
14.0	28.8	26.1	25.8	25.6	25.4	25.2	24.9	23.3	14.0
15.0	(13.1)	23.8	23.5	23.3	23.1	22.9	22.5	22.0	15.0
16.0	-	21.8	21.5	21.3	21.1	20.9	20.5	20.3	16.0
17.0	-	20.2	19.8	19.5	19.3	19.1	18.8	18.6	17.0
18.0	-	18.7	18.3	18.0	17.8	17.6	17.2	17.1	18.0
19.0	-	-	17.0	16.7	16.5	16.3	15.9	15.7	19.0
20.0	-	-	15.9	15.6	15.3	15.1	14.7	14.6	20.0
22.0	-	-	14.0	13.6	13.4	13.1	12.8	12.6	22.0
24.0	-	-	13.3	12.0	11.8	11.5	11.1	10.9	24.0
26.0	-	-	(22.8)	10.8	10.5	10.2	9.8	9.6	26.0
28.0	-	-	-	9.9	9.3	9.1	8.7	8.5	28.0
30.0	-	-	-	(27.7)	8.4	8.1	7.7	7.5	30.0
32.0	-	-	-	-	7.6	7.3	6.9	6.7	32.0
34.0	-	-	-	-	7.4	6.6	6.2	5.9	34.0
36.0	-	-	-	-	(32.5)	6.0	5.6	5.3	36.0
38.0	-	-	-	-	-	5.6	5.0	4.8	38.0
40.0	-	-	-	-	-	(37.4)	4.5	4.3	40.0
42.0	-	-	-	-	-	-	4.1	3.8	42.0
44.0	-	-	-	-	-	-	4.1	3.4	44.0
46.0	-	-	-	-	-	-	(42.2)	3.1	46.0
48.0	-	-	-	-	-	-	-	2.9	48.0
50.0	-	-	-	-	-	-	-	(47.1)	50.0

Values in brackets ( ) represented below or above load capacity, indicate exact radius. / Les valeurs entre parenthèses ( ) notées au-dessus ou en-dessous des capacités, indiquent les portées exactes (pour les dernières). / Die Werten in Klammern unten oder oben den Tragfähigkeiten bedeuten die genaue Ausladung. / Waarden tussen haakjes ( ) onder of boven capaciteiten geven de exacte radius aan.

\* Special attachment required. / Nécessite équipement special. / Sonderausrustung erforderlich. / Speciale uitrusting benodigd.



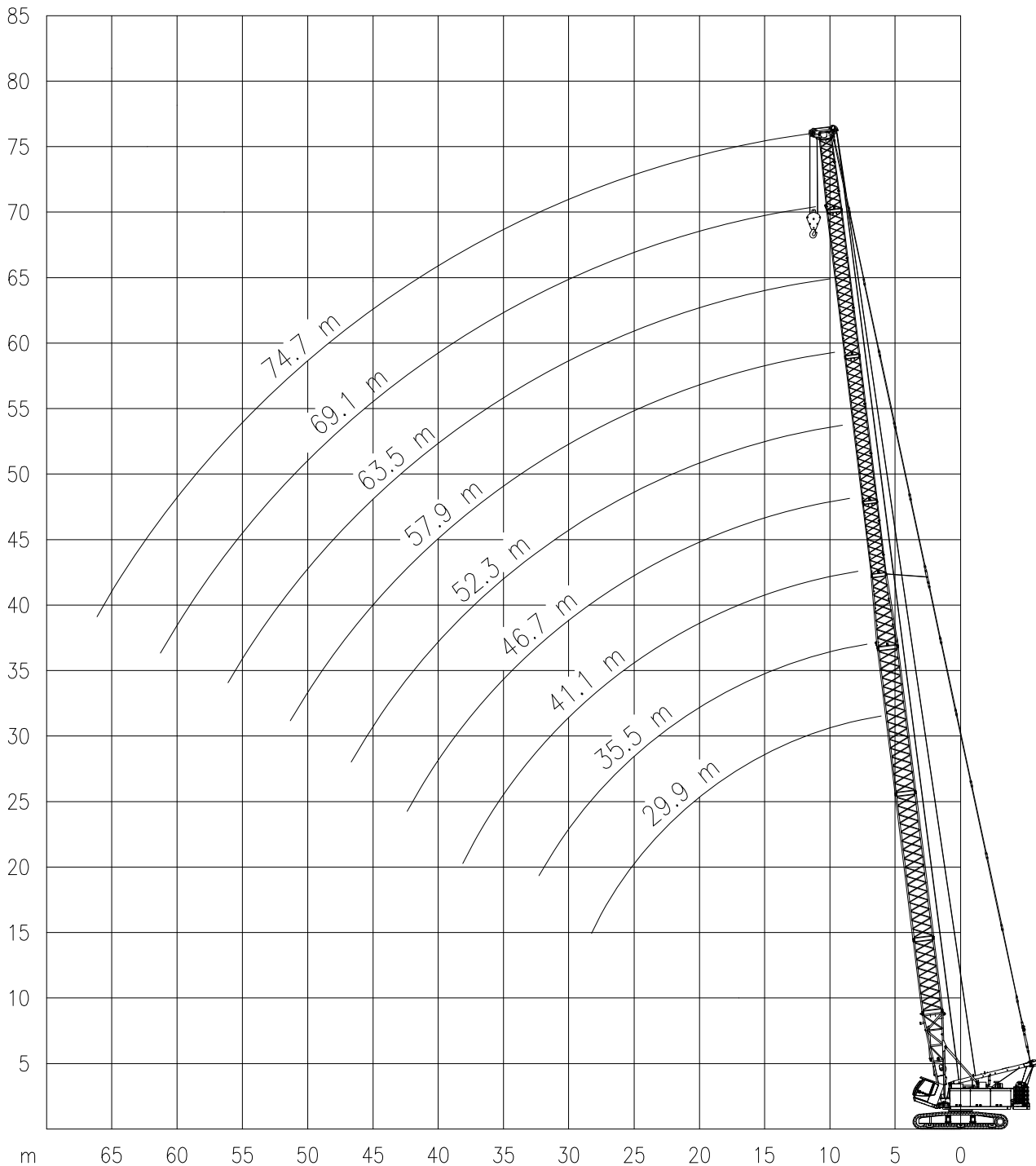
# SENNEBOGEN 3300-R SL

## 125 TON

Working ranges of main boom  
Portées de la flèche principale

Arbeitsbereiche mit Hauptausleger  
Werkbereich van de Hoofdgiek

### SHLH



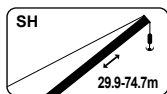


# SENNEBOGEN 3300-R SL

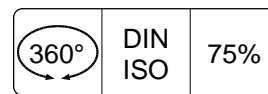
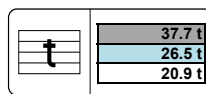
# 125 TON

Lifting capacities at main boom  
Capacités à la flèche principale

Tragfähigkeiten am Hauptausleger  
Capaciteiten aan de hoofdgiëk



**SHLH**



m	29.9m	35.5m	41.1m	46.7m	52.3m	57.9m	63.5m	69.1m	74.7m	m
	t	t	t	t	t	t	t	t	t	
4.0	(5.8)	-	-	-	-	-	-	-	-	4.0
5.0	42.0	(6.5)	-	-	-	-	-	-	-	5.0
6.0	41.6	39.0	(7.2)	(7.9)	-	-	-	-	-	6.0
7.0	39.7	38.0	29.4	26.3	(8.5)	-	-	-	-	7.0
8.0	37.7	36.3	28.5	26.1	19.0	(9.2)	(9.9)	-	-	8.0
9.0	35.8	34.5	27.5	25.2	18.7	16.9	10.4	(10.6)	-	9.0
10.0	33.9	32.7	26.5	24.4	18.3	16.6	10.4	8.9	(11.3)	10.0
11.0	31.9	30.9	25.4	23.5	17.8	16.2	10.2	8.7	6.9	11.0
12.0	30.0	29.1	24.4	22.6	17.3	15.7	10.0	8.5	6.7	12.0
13.0	28.1	27.3	23.8	21.7	16.8	15.3	9.8	8.4	6.6	13.0
14.0	26.1	25.5	22.3	20.9	16.4	14.9	9.7	8.2	6.5	14.0
15.0	24.2	23.7	21.3	20.0	15.9	14.5	9.5	8.1	6.4	15.0
16.0	22.2	21.9	20.3	19.1	15.4	14.1	9.3	7.9	6.3	16.0
17.0	20.5	20.2	19.3	18.2	15.0	13.7	9.1	7.8	6.2	17.0
18.0	19.0	18.7	18.2	17.3	14.5	13.3	8.9	7.6	6.0	18.0
19.0	17.7	17.4	17.2	16.5	14.0	12.9	8.7	7.5	5.9	19.0
20.0	16.5	16.2	16.1	15.6	13.5	12.5	8.6	7.3	5.8	20.0
22.0	14.6	14.2	14.1	13.8	12.6	11.7	8.2	7.0	5.6	22.0
24.0	13.0	12.6	12.5	12.2	11.6	10.9	7.8	6.7	5.4	24.0
26.0	11.7	11.3	11.2	10.9	10.7	10.1	7.5	6.4	5.2	26.0
28.0	10.8	10.2	10.1	9.8	9.7	9.3	7.1	6.1	5.0	28.0
30.0	(27.6)	9.3	9.1	8.8	8.8	8.4	6.8	5.8	4.7	30.0
32.0	-	8.5	8.3	8.0	8.0	7.6	6.4	5.5	4.5	32.0
34.0	-	8.3	7.6	7.3	7.2	6.9	6.0	5.2	4.3	34.0
36.0	-	(32.5)	7.0	6.6	6.6	6.3	5.7	4.9	4.1	36.0
38.0	-	-	6.6	6.1	6.0	5.7	5.3	4.6	3.8	38.0
40.0	-	-	(37.3)	5.6	5.5	5.2	5.0	4.3	3.6	40.0
42.0	-	-	-	5.2	5.1	4.7	4.6	4.1	3.4	42.0
44.0	-	-	-	5.1	4.7	4.3	4.3	3.7	3.2	44.0
46.0	-	-	-	(42.2)	4.3	4.0	3.9	3.4	3.0	46.0
48.0	-	-	-	-	4.2	3.6	3.6	3.1	2.7	48.0
50.0	-	-	-	-	(47.0)	3.3	3.3	2.9	2.5	50.0
52.0	-	-	-	-	-	3.1	3.0	2.6	2.4	52.0
54.0	-	-	-	-	-	(51.9)	2.7	2.3	2.2	54.0
56.0	-	-	-	-	-	-	2.5	2.1	1.9	56.0
58.0	-	-	-	-	-	-	2.4	1.9	1.7	58.0
60.0	-	-	-	-	-	-	(56.7)	1.7	1.5	60.0
62.0	-	-	-	-	-	-	-	1.5	1.3	62.0
64.0	-	-	-	-	-	-	-	(61.6)	1.1	64.0
66.0	-	-	-	-	-	-	-	-	1.0	66.0
68.0	-	-	-	-	-	-	-	-	0.9	68.0
70.0	-	-	-	-	-	-	-	-	(66.4)	70.0

Values in brackets ( ) represented below or above load capacity, indicate exact radius. / Les valeurs entre parenthèses ( ) notées au-dessus ou en-dessous des capacités, indiquent les portées exactes (pour les dernières). / Die Werten in Klammern unten oder oben den Tragfähigkeiten bedeuten die genaue Ausladung. / Waarden tussen haakjes ( ) onder of boven capaciteiten geven de exacte radius aan.



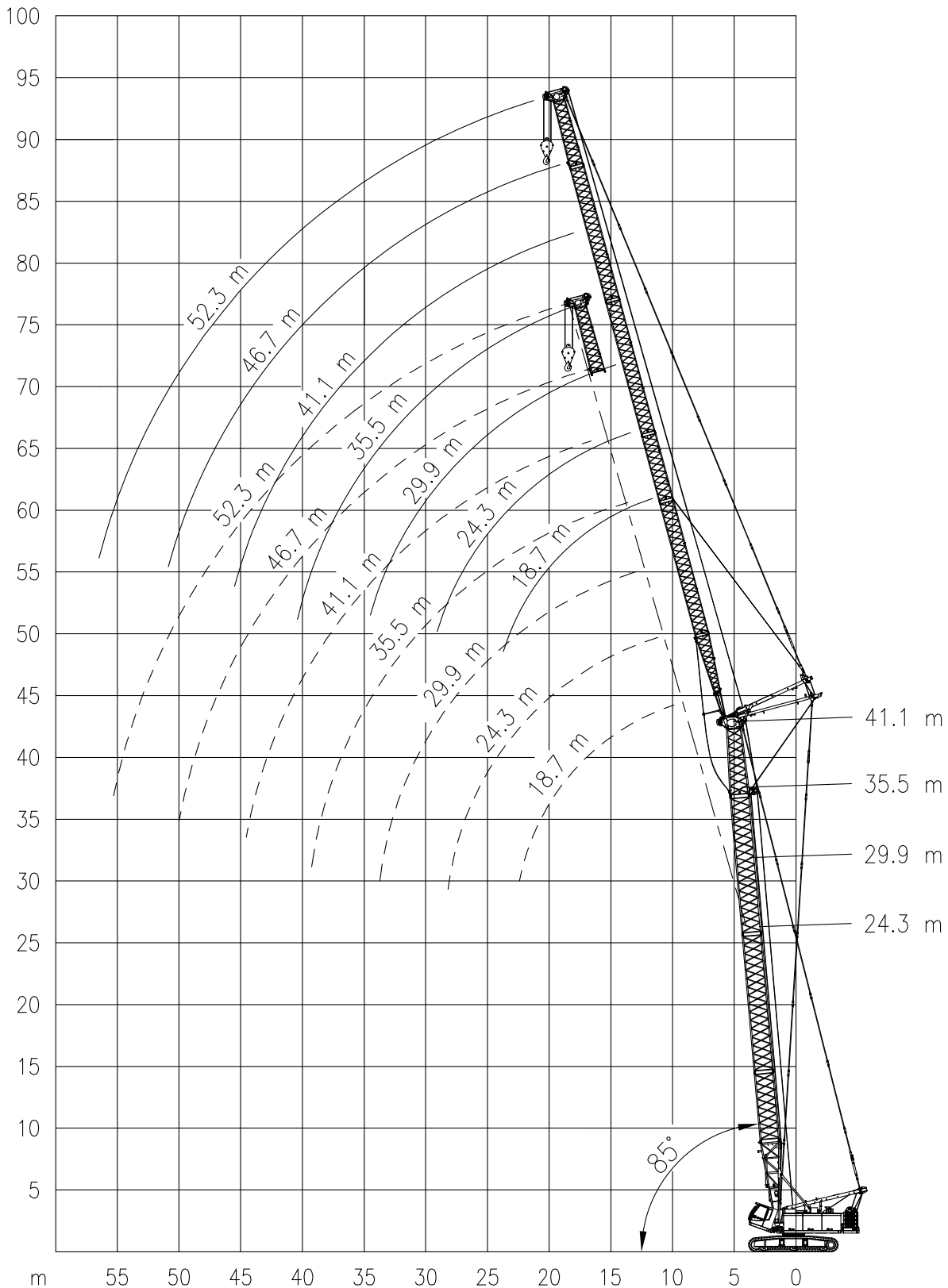
# SENNEBOGEN 3300-R SL

## 125 TON

Working ranges of luffing fly jib  
Portées de la volée variable

Arbeitsbereiche mit wippbarem Hilfsausleger  
Werkbereich van de beweegbare hulpgiek

### SHWS 85°





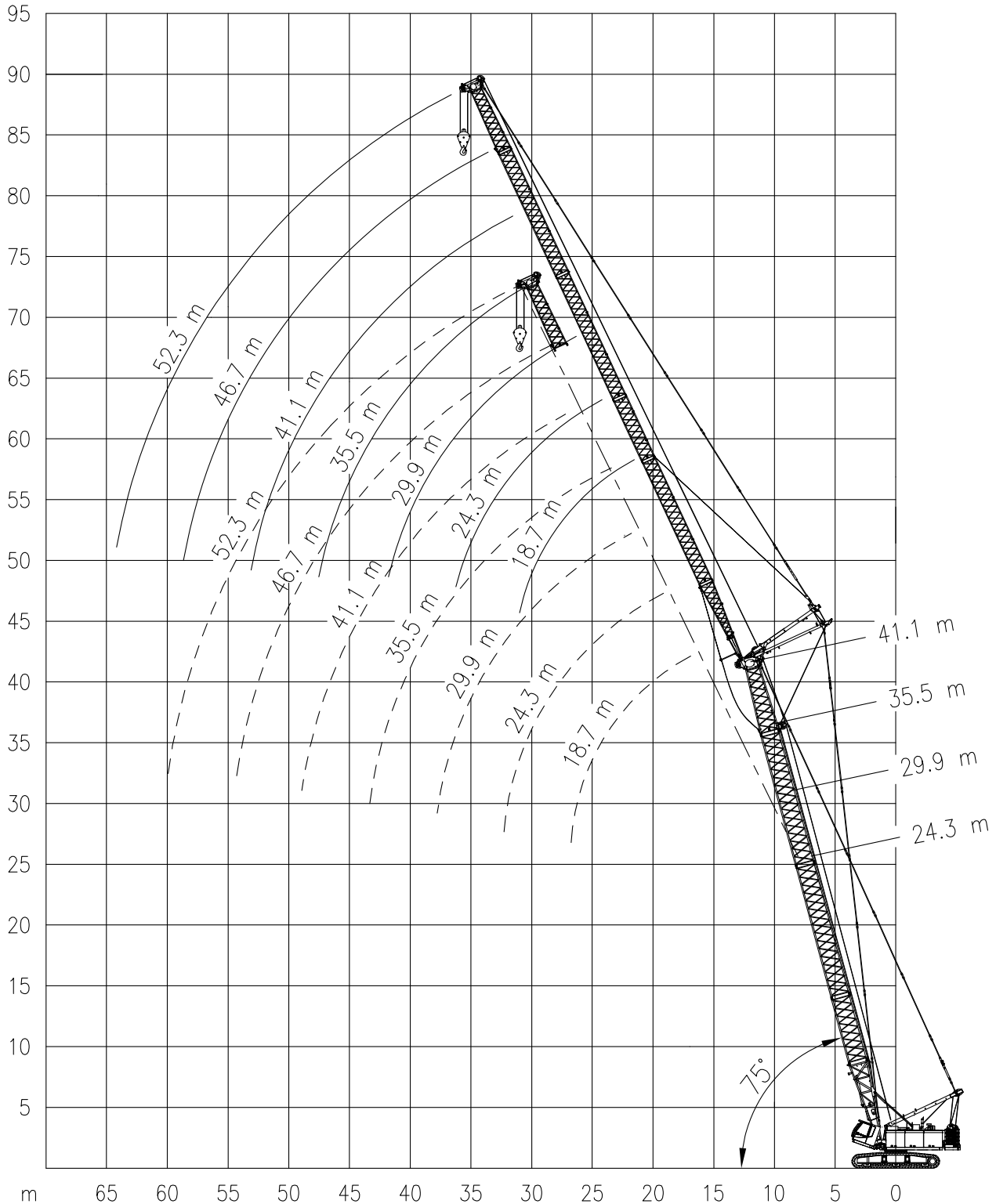
# SENNEBOGEN 3300-R SL

## 125 TON

Working ranges of luffing fly jib  
Portées de la volée variable

Arbeitsbereiche mit wippbarem Hilfsausleger  
Werkbereich van de beweegbare hulpgiek

### SHWS 75°







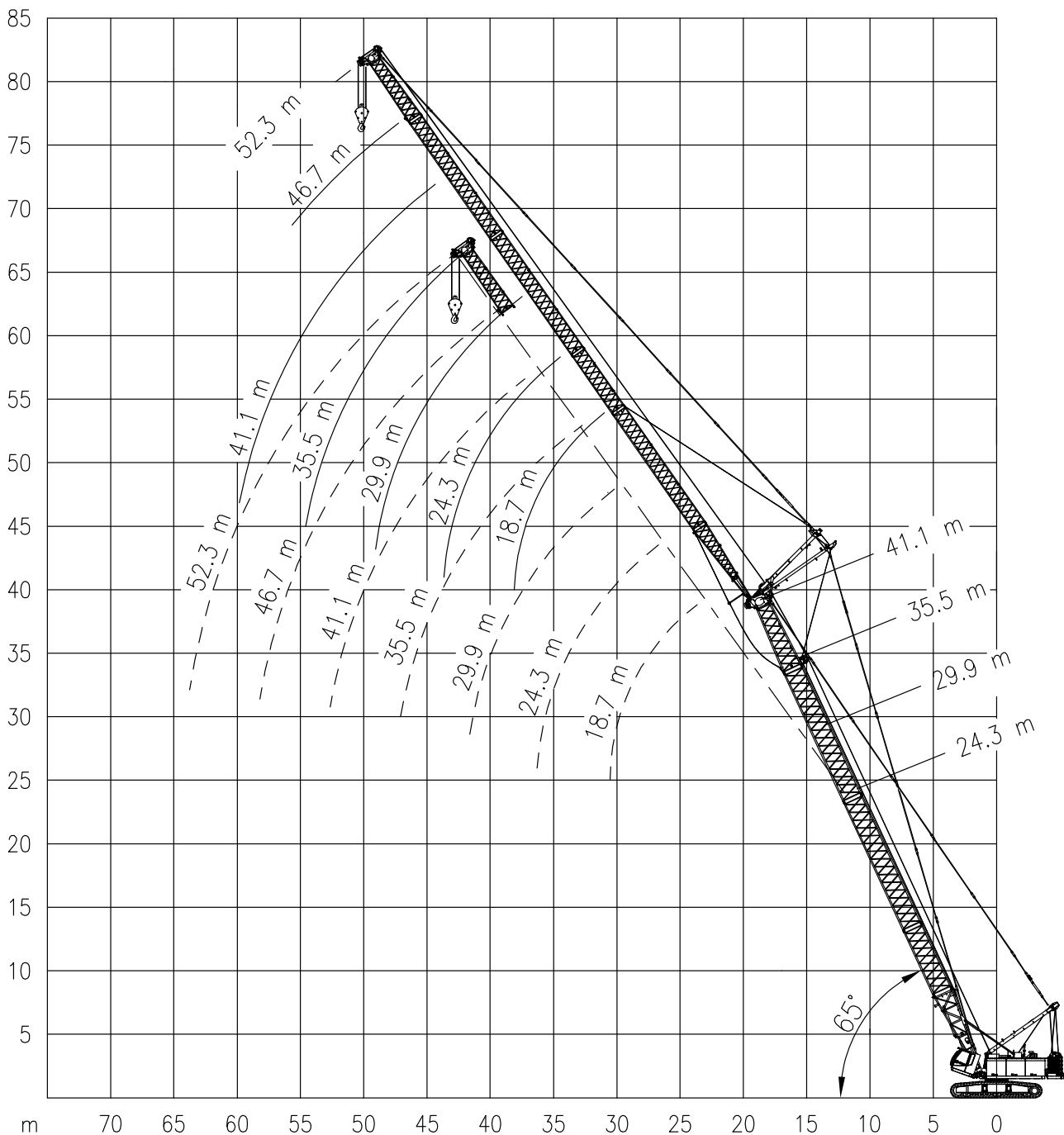
# SENNEBOGEN 3300-R SL

## 125 TON

Working ranges of luffing fly jib  
Portées de la volée variable

Arbeitsbereiche mit wippbarem Hilfsausleger  
Werkbereich van de beweegbare hulpgiëk

### SHWS 65°





# SENNEBOGEN 3300-R SL

# 125 TON

Lifting capacities at luffing fly jib  
Capacités à la volée variable

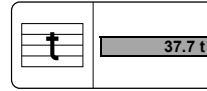
Tragfähigkeiten an wippbarem Hilfsausleger  
Capaciteiten aan de beweegbare hulpgiëk



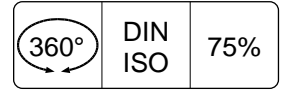
SHWS



4.9m



37.7 t



360°

DIN  
ISO

75%

m	18.7m																								m	
	18.7m			24.3m			29.9m			35.5m			41.1m			46.7m			52.3m							
	85°	75°	65°	85°	75°	65°	85°	75°	65°	85°	75°	65°	85°	75°	65°	85°	75°	65°	85°	75°	65°					
8.0	(9.3)	-	-	-	-	-	-	-	-	-	-	-	-	-	-	-	-	-	-	-	-	-	-	8.0		
9.0	37.0	-	-	(10.8)	-	-	-	-	-	-	-	-	-	-	-	-	-	-	-	-	-	-	-	-	9.0	
10.0	35.7	-	-	28.2	-	-	-	-	-	-	-	-	-	-	-	-	-	-	-	-	-	-	-	-	10.0	
11.0	33.9	-	-	28.0	-	-	(12.2)	-	-	-	-	-	-	-	-	-	-	-	-	-	-	-	-	-	11.0	
12.0	32.1	-	-	27.1	-	-	21.3	-	-	(14.7)	-	-	-	-	-	-	-	-	-	-	-	-	-	-	12.0	
13.0	30.4	-	-	26.2	-	-	20.9	-	-	16.4	-	-	-	-	-	-	-	-	-	-	-	-	-	-	13.0	
14.0	28.7	(15.6)	-	25.3	-	-	20.4	-	-	16.2	-	-	(15.1)	-	-	-	-	-	-	-	-	-	-	-	14.0	
15.0	26.6	23.0	-	24.4	-	-	19.8	-	-	15.7	-	-	13.3	-	-	(16.6)	-	-	-	-	-	-	-	-	15.0	
16.0	24.5	22.3	-	23.5	(17.9)	-	19.3	-	-	15.2	-	-	13.1	-	-	9.7	-	-	-	-	-	-	-	-	16.0	
17.0	22.6	20.8	-	22.5	19.0	-	18.8	-	-	14.8	-	-	12.9	-	-	9.7	-	-	-	-	-	-	-	-	17.0	
18.0	21.0	19.3	-	20.9	18.9	-	18.2	-	-	14.3	-	-	12.6	-	-	9.5	-	-	-	-	-	7.6	-	-	18.0	
19.0	19.6	18.0	(21.4)	19.5	17.8	-	17.7	(20.3)	-	13.8	-	-	12.4	-	-	9.4	-	-	-	-	-	7.5	-	-	19.0	
20.0	18.4	16.7	14.3	18.3	16.7	-	17.1	16.1	-	13.4	(22.7)	-	12.2	-	-	9.3	-	-	-	-	-	7.4	-	-	20.0	
22.0	16.2	14.7	13.8	16.2	14.8	(24.6)	16.0	14.7	-	12.5	13.5	-	11.7	(25.0)	-	9.1	-	-	-	-	-	7.2	-	-	22.0	
24.0	16.1	13.0	12.4	14.4	13.2	11.7	14.4	13.2	(27.8)	11.7	12.7	-	11.2	11.4	-	8.8	-	-	-	-	-	7.0	-	-	24.0	
26.0	(22.1)	12.3	11.1	13.0	11.7	11.0	13.0	11.9	9.8	10.9	11.5	-	10.8	11.0	-	8.6	-	-	-	-	-	6.8	(29.8)	-	26.0	
28.0	-	(25.3)	10.1	12.0	10.6	10.0	11.8	10.7	9.7	10.1	10.5	(31.0)	10.3	10.1	-	8.3	8.3	-	-	-	-	6.6	6.2	-	28.0	
30.0	-	-	9.9	(27.6)	9.7	9.1	10.7	9.7	8.9	9.4	9.5	8.2	9.8	9.3	-	8.1	7.9	-	-	-	-	6.4	6.2	-	30.0	
32.0	-	-	(28.4)	-	9.4	8.3	9.8	8.8	8.1	8.7	8.7	7.9	9.3	8.6	(34.2)	7.8	7.5	-	-	-	-	6.2	6.0	-	32.0	
34.0	-	-	-	-	(30.8)	7.6	9.4	8.1	7.5	8.1	7.9	7.3	8.6	7.9	6.9	7.5	7.1	(37.4)	-	-	-	-	6.0	5.9	-	34.0
36.0	-	-	-	-	-	(33.9)	(33.1)	7.5	6.9	7.5	7.3	6.7	8.0	7.3	6.4	7.2	6.7	5.7	-	-	-	5.8	5.8	-	36.0	
38.0	-	-	-	-	-	-	-	7.4	6.4	6.9	6.7	6.1	7.4	6.7	5.9	6.9	6.4	5.5	-	-	-	5.6	5.6	(40.7)	38.0	
40.0	-	-	-	-	-	-	(36.3)	6.1	6.8	6.2	5.7	5.7	6.8	6.2	5.4	6.6	5.9	5.1	-	-	-	5.5	5.4	4.7	40.0	
42.0	-	-	-	-	-	-	-	(39.4)	(38.6)	5.9	5.2	5.2	6.4	5.7	5.0	6.1	5.4	4.7	-	-	-	5.3	5.2	4.5	42.0	
44.0	-	-	-	-	-	-	-	-	-	(41.8)	4.8	4.7	-	5.9	5.3	4.6	5.7	5.0	4.4	-	-	5.1	4.8	4.1	44.0	
46.0	-	-	-	-	-	-	-	-	-	-	4.7	-	-	5.0	4.3	5.3	4.7	4.0	-	-	-	4.9	4.4	3.8	46.0	
48.0	-	-	-	-	-	-	-	-	-	-	(44.8)	-	-	4.8	4.0	4.9	4.3	3.7	-	-	-	4.7	4.1	3.5	48.0	
50.0	-	-	-	-	-	-	-	-	-	-	-	-	-	(47.3)	3.8	4.7	4.0	3.5	-	-	-	4.4	3.8	3.2	50.0	
52.0	-	-	-	-	-	-	-	-	-	-	-	-	-	-	3.7	-	3.8	3.2	-	-	-	4.1	3.5	2.9	52.0	
54.0	-	-	-	-	-	-	-	-	-	-	-	-	-	-	(50.3)	-	3.7	3.0	-	-	-	3.8	3.3	2.7	54.0	
56.0	-	-	-	-	-	-	-	-	-	-	-	-	-	-	-	-	(52.7)	2.8	-	-	-	3.7	3.0	2.5	56.0	
58.0	-	-	-	-	-	-	-	-	-	-	-	-	-	-	-	-	-	(55.8)	(55.0)	-	-	2.8	2.3	-	58.0	
60.0	-	-	-	-	-	-	-	-	-	-	-	-	-	-	-	-	-	-	-	-	-	-	2.8	2.2	-	60.0
62.0	-	-	-	-	-	-	-	-	-	-	-	-	-	-	-	-	-	-	-	-	-	-	(58.2)	2.0	-	62.0
64.0	-	-	-	-	-	-	-	-	-	-	-	-	-	-	-	-	-	-	-	-	-	-	-	(61.3)	-	64.0

Values in brackets ( ) represented below or above load capacity, indicate exact radius. / Les valeurs entre parenthèses ( ) notées au-dessus ou en-dessous des capacités, indiquent les portées exactes (pour les dernières). / Die Werten in Klammern unten oder oben den Tragfähigkeiten bedeuten die genaue Ausladung. / Waarden tussen haakjes ( ) onder of boven capaciteiten geven de exacte radius aan.



# SENNEBOGEN 3300-R SL

# 125 TON

Lifting capacities at luffing fly jib  
Capacités à la volée variable

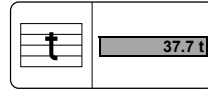
Tragfähigkeiten an wippbarem Hilfsausleger  
Capaciteiten aan de beweegbare hulpgiëk



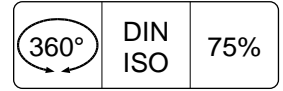
SHWS



4.9m



37.7 t



360°

DIN  
ISO

75%

m	24,3m																								m
	18.7m			24.3m			29.9m			35.5m			41.1m			46.7m			52.3m						
	85°	75°	65°	85°	75°	65°	85°	75°	65°	85°	75°	65°	85°	75°	65°	85°	75°	65°	85°	75°	65°				
8.0	(9.8)	-	-	-	-	-	-	-	-	-	-	-	-	-	-	-	-	-	-	-	-	-	-	8.0	
9.0	33.0	-	-	-	-	-	-	-	-	-	-	-	-	-	-	-	-	-	-	-	-	-	-	-	9.0
10.0	32.6	-	-	(11.3)	-	-	-	-	-	-	-	-	-	-	-	-	-	-	-	-	-	-	-	-	10.0
11.0	30.8	-	-	25.6	-	-	(12.7)	-	-	-	-	-	-	-	-	-	-	-	-	-	-	-	-	-	11.0
12.0	29.2	-	-	24.9	-	-	19.6	-	-	-	-	-	-	-	-	-	-	-	-	-	-	-	-	-	12.0
13.0	27.5	-	-	24.1	-	-	19.5	-	-	(14.2)	-	-	-	-	-	-	-	-	-	-	-	-	-	-	13.0
14.0	26.0	-	-	23.2	-	-	19.0	-	-	14.8	-	-	-	-	-	-	-	-	-	-	-	-	-	-	14.0
15.0	24.6	-	-	22.4	-	-	18.5	-	-	14.5	-	-	(15.6)	-	-	-	-	-	-	-	-	-	-	-	15.0
16.0	23.2	-	-	21.5	-	-	18.0	-	-	14.1	-	-	11.7	-	-	(17.1)	-	-	-	-	-	-	-	-	16.0
17.0	21.9	19.9	-	20.7	-	-	17.5	-	-	13.7	-	-	11.5	-	-	9.0	-	-	(18.5)	-	-	-	-	-	17.0
18.0	20.8	18.6	-	19.9	(19.4)	-	17.1	-	-	13.3	-	-	11.4	-	-	8.9	-	-	7.1	-	-	-	-	-	18.0
19.0	19.5	17.4	-	19.1	16.6	-	16.6	(21.8)	-	13.0	-	-	11.3	-	-	8.8	-	-	7.1	-	-	-	-	-	19.0
20.0	18.3	16.3	(23.8)	18.1	16.1	-	16.1	14.3	-	12.6	-	-	11.1	-	-	8.7	-	-	7.0	-	-	-	-	-	20.0
22.0	16.1	14.3	11.7	16.0	14.3	-	15.1	14.1	-	11.9	(24.1)	-	10.8	-	-	8.6	-	-	6.8	-	-	-	-	-	22.0
24.0	15.6	12.7	11.5	14.3	12.8	(27.0)	14.1	12.7	-	11.2	12.3	-	10.5	(26.5)	-	8.4	-	-	6.6	-	-	-	-	-	24.0
26.0	(22.6)	11.4	10.5	12.9	11.5	9.6	12.8	11.5	-	10.5	11.2	-	10.1	10.3	-	8.2	(28.9)	-	6.5	-	-	-	-	-	26.0
28.0	-	11.0	9.5	11.6	10.3	9.1	11.6	10.3	(30.2)	9.9	10.1	-	9.8	9.7	-	7.9	7.7	-	6.3	(31.2)	-	-	-	-	28.0
30.0	-	(26.8)	8.6	11.6	9.4	8.3	10.6	9.4	8.1	9.3	9.2	(33.4)	9.4	8.9	-	7.7	7.5	-	6.1	5.8	-	-	-	-	30.0
32.0	-	-	8.2	(28.1)	8.6	7.6	9.7	8.5	7.5	8.7	8.3	6.7	9.0	8.1	-	7.5	7.1	-	6.0	5.7	-	-	-	-	32.0
34.0	-	-	(30.8)	-	8.6	7.0	9.1	7.8	6.9	8.1	7.6	6.5	8.5	7.4	-	7.2	6.7	-	5.8	5.6	-	-	-	-	34.0
36.0	-	-	-	-	(32.3)	6.4	(33.5)	7.2	6.3	7.6	6.9	6.0	7.9	6.8	(36.6)	6.9	6.4	(39.8)	5.6	5.4	-	-	-	-	36.0
38.0	-	-	-	-	-	6.3	-	6.8	5.8	7.1	6.4	5.5	7.3	6.3	5.6	6.6	6.0	4.6	5.4	5.3	-	-	-	-	38.0
40.0	-	-	-	-	-	(36.3)	-	(37.8)	5.3	6.8	5.9	5.1	6.8	5.8	5.3	6.3	5.5	4.5	5.2	5.1	(43.0)	-	-	-	40.0
42.0	-	-	-	-	-	-	-	-	5.0	(39.0)	5.6	4.7	6.3	5.4	4.9	6.0	5.1	4.1	5.0	4.8	3.7	-	-	-	42.0
44.0	-	-	-	-	-	-	-	-	(41.7)	-	5.3	4.4	5.9	5.0	4.5	5.6	4.7	3.8	4.8	4.4	3.6	-	-	-	44.0
46.0	-	-	-	-	-	-	-	-	-	(43.2)	4.1	5.8	4.6	4.1	5.2	4.3	3.5	4.7	4.1	3.3	-	-	-	-	46.0
48.0	-	-	-	-	-	-	-	-	-	-	3.9	(44.5)	4.3	3.8	4.8	4.0	3.2	4.5	3.8	3.0	-	-	-	-	48.0
50.0	-	-	-	-	-	-	-	-	-	-	(47.2)	-	4.2	3.5	4.5	3.7	3.0	4.3	3.5	2.8	-	-	-	-	50.0
52.0	-	-	-	-	-	-	-	-	-	-	-	-	(48.7)	3.2	-	3.5	2.7	4.0	3.2	2.6	-	-	-	-	52.0
54.0	-	-	-	-	-	-	-	-	-	-	-	-	-	3.0	-	3.2	2.5	3.7	3.0	2.3	-	-	-	-	54.0
56.0	-	-	-	-	-	-	-	-	-	-	-	-	-	2.9	-	3.2	2.3	3.5	2.8	2.1	-	-	-	-	56.0
58.0	-	-	-	-	-	-	-	-	-	-	-	-	-	(52.7)	-	(54.2)	2.2	(55.5)	2.6	1.9	-	-	-	-	58.0
60.0	-	-	-	-	-	-	-	-	-	-	-	-	-	-	-	-	2.1	-	2.4	1.8	-	-	-	-	60.0
62.0	-	-	-	-	-	-	-	-	-	-	-	-	-	-	-	-	(58.2)	-	(59.7)	1.6	-	-	-	-	62.0
64.0	-	-	-	-	-	-	-	-	-	-	-	-	-	-	-	-	-	-	1.5	-	-	-	-	-	64.0
66.0	-	-	-	-	-	-	-	-	-	-	-	-	-	-	-	-	-	-	-	(63.6)	-	-	-	-	66.0

Values in brackets () represented below or above load capacity, indicate exact radius. / Les valeurs entre parenthèses () notées au-dessus ou en-dessous des capacités, indiquent les portées exactes (pour les dernières). / Die Werten in Klammern unten oder oben den Tragfähigkeiten bedeuten die genaue Ausladung. / Waarden tussen haakjes () onder of boven capaciteiten geven de exacte radius aan.



# SENNEBOGEN 3300-R SL

# 125 TON

Lifting capacities at luffing fly jib  
Capacités à la volée variable

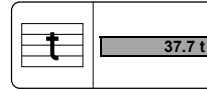
Tragfähigkeiten an wippbarem Hilfsausleger  
Capaciteiten aan de beweegbare hulpgiëk



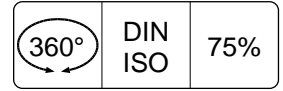
SHWS



4.9m



37.7 t



360°

DIN  
ISO

75%

m	29,9m																								m
	18.7m			24.3m			29.9m			35.5m			41.1m			46.7m			52.3m						
	85°	75°	65°	85°	75°	65°	85°	75°	65°	85°	75°	65°	85°	75°	65°	85°	75°	65°	85°	75°	65°				
9.0	(10.3)	-	-	-	-	-	-	-	-	-	-	-	-	-	-	-	-	-	-	-	-	-	-	9.0	
10.0	28.9	-	-	(11.7)	-	-	-	-	-	-	-	-	-	-	-	-	-	-	-	-	-	-	-	10.0	
11.0	27.8	-	-	22.9	-	-	-	-	-	-	-	-	-	-	-	-	-	-	-	-	-	-	-	11.0	
12.0	26.2	-	-	22.7	-	-	(13.2)	-	-	-	-	-	-	-	-	-	-	-	-	-	-	-	-	12.0	
13.0	24.7	-	-	21.8	-	-	17.8	-	-	(14.6)	-	-	-	-	-	-	-	-	-	-	-	-	-	13.0	
14.0	23.3	-	-	21.0	-	-	17.4	-	-	13.4	-	-	-	-	-	-	-	-	-	-	-	-	-	14.0	
15.0	22.1	-	-	20.2	-	-	17.0	-	-	13.3	-	-	(16.1)	-	-	-	-	-	-	-	-	-	-	15.0	
16.0	20.9	-	-	19.5	-	-	16.5	-	-	13.0	-	-	10.5	-	-	(17.5)	-	-	-	-	-	-	-	16.0	
17.0	19.8	(18.5)	-	18.7	-	-	16.1	-	-	12.7	-	-	10.4	-	-	8.4	-	-	-	-	-	-	-	17.0	
18.0	18.7	17.3	-	18.0	-	-	15.6	-	-	12.3	-	-	10.4	-	-	8.4	-	-	-	-	-	-	-	18.0	
19.0	17.8	16.8	-	17.3	(20.8)	-	15.2	-	-	12.0	-	-	10.3	-	-	8.3	-	-	-	6.7	-	-	-	19.0	
20.0	17.0	15.7	-	16.6	14.6	-	14.7	(23.2)	-	11.7	-	-	10.2	-	-	8.2	-	-	-	6.6	-	-	-	20.0	
22.0	15.6	13.9	-	15.3	13.7	-	13.8	12.5	-	11.1	(25.6)	-	10.0	-	-	8.1	-	-	-	6.5	-	-	-	22.0	
24.0	14.9	12.3	(26.1)	14.0	12.3	-	12.9	12.1	-	10.6	10.8	-	9.7	-	-	7.9	-	-	-	6.3	-	-	-	24.0	
26.0	(23.1)	11.1	9.4	12.8	11.1	(29.3)	12.0	10.9	-	10.0	10.6	-	9.4	9.2	-	7.7	-	-	-	6.2	-	-	-	26.0	
28.0	-	10.1	8.6	11.6	10.0	7.9	11.2	9.8	-	9.5	9.5	-	9.1	8.4	-	7.5	(30.3)	-	-	6.0	-	-	-	28.0	
30.0	-	10.0	7.8	11.3	9.0	7.6	10.3	8.9	(32.5)	9.0	8.6	-	8.8	7.6	-	7.3	7.1	-	-	5.8	(32.7)	-	-	30.0	
32.0	-	(28.3)	7.1	(28.6)	8.2	7.0	9.5	8.2	6.6	8.4	7.9	(35.8)	8.5	7.0	-	7.1	6.8	-	-	5.7	5.5	-	-	32.0	
34.0	-	-	6.8	-	7.7	6.5	8.6	7.5	6.2	8.0	7.2	5.4	8.1	6.4	-	6.9	6.4	-	-	5.5	5.4	-	-	34.0	
36.0	-	-	(33.1)	-	(33.7)	5.9	8.6	6.9	5.7	7.5	6.6	5.3	7.6	5.9	(39.0)	6.6	6.0	-	-	5.3	5.2	-	-	36.0	
38.0	-	-	-	-	5.4	(34.1)	6.4	5.3	7.0	6.1	4.9	7.1	5.4	4.4	6.3	5.6	-	-	-	5.2	5.0	-	-	38.0	
40.0	-	-	-	-	5.3	-	6.1	4.8	6.7	5.6	4.6	6.6	5.0	4.2	6.1	5.1	(42.2)	-	-	5.0	4.8	-	-	40.0	
42.0	-	-	-	-	(38.6)	-	(39.2)	4.5	(39.5)	5.2	4.2	6.1	4.6	3.9	5.8	4.7	3.5	-	-	4.8	4.4	(45.4)	-	42.0	
44.0	-	-	-	-	-	-	-	4.1	-	4.9	3.9	5.7	4.3	3.6	5.4	4.3	3.3	-	-	4.6	4.1	2.7	-	44.0	
46.0	-	-	-	-	-	-	-	4.1	-	4.7	3.6	5.4	4.0	3.3	5.0	4.0	3.0	-	-	4.4	3.7	2.7	-	46.0	
48.0	-	-	-	-	-	-	-	(44.1)	-	(44.7)	3.3	(45.0)	3.7	3.0	4.7	3.7	2.7	-	-	4.2	3.4	2.4	-	48.0	
50.0	-	-	-	-	-	-	-	-	-	-	3.1	-	3.7	2.8	4.4	3.4	2.5	-	-	4.0	3.1	2.2	-	50.0	
52.0	-	-	-	-	-	-	-	-	-	-	(49.6)	-	(50.2)	2.6	4.3	3.2	2.3	-	-	3.8	2.9	2.0	-	52.0	
54.0	-	-	-	-	-	-	-	-	-	-	-	-	-	2.4	(50.5)	2.9	2.1	-	-	3.6	2.7	1.8	-	54.0	
56.0	-	-	-	-	-	-	-	-	-	-	-	-	-	2.3	-	2.8	1.9	-	-	3.4	2.5	1.6	-	56.0	
58.0	-	-	-	-	-	-	-	-	-	-	-	-	-	(55.1)	--	(55.6)	1.8	-	-	2.3	1.5	-	-	58.0	
60.0	-	-	-	-	-	-	-	-	-	-	-	-	-	-	-	-	1.6	-	-	2.1	1.3	-	-	60.0	
62.0	-	-	-	-	-	-	-	-	-	-	-	-	-	-	-	-	1.5	-	-	2.0	1.2	-	-	62.0	
64.0	-	-	-	-	-	-	-	-	-	-	-	-	-	-	-	-	(60.6)	-	-	(61.1)	1.0	-	-	64.0	
66.0	-	-	-	-	-	-	-	-	-	-	-	-	-	-	-	-	-	-	-	-	0.9	-	-	66.0	

Values in brackets ( ) represented below or above load capacity, indicate exact radius. / Les valeurs entre parenthèses ( ) notées au-dessus ou en-dessous des capacités, indiquent les portées exactes (pour les dernières). / Die Werten in Klammern unten oder oben den Tragfähigkeiten bedeuten die genaue Ausladung. / Waarden tussen haakjes ( ) onder of boven capaciteiten geven de exacte radius aan.



# SENNEBOGEN 3300-R SL

# 125 TON

Lifting capacities at luffing fly jib  
Capacités à la volée variable

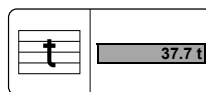
Tragfähigkeiten an wippbarem Hilfsausleger  
Capaciteiten aan de beweegbare hulpgiëk



SHWS



4.9m



37.7 t



DIN ISO

75%

m	35.5m																								m
	18.7m			24.3m			29.9m			35.5m			41.1m			46.7m			52.3m						
	85°	75°	65°	85°	75°	65°	85°	75°	65°	85°	75°	65°	85°	75°	65°	85°	75°	65°	85°	75°	65°				
9.0	(10.8)	-	-	-	-	-	-	-	-	-	-	-	-	-	-	-	-	-	-	-	-	-	-	9.0	
10.0	24.6	-	-	-	-	-	-	-	-	-	-	-	-	-	-	-	-	-	-	-	-	-	-	10.0	
11.0	24.3	-	-	(12.2)	-	-	-	-	-	-	-	-	-	-	-	-	-	-	-	-	-	-	-	11.0	
12.0	23.0	-	-	20.0	-	-	(13.7)	-	-	-	-	-	-	-	-	-	-	-	-	-	-	-	-	12.0	
13.0	21.7	-	-	19.4	-	-	15.9	-	-	-	-	-	-	-	-	-	-	-	-	-	-	-	-	13.0	
14.0	20.6	-	-	18.6	-	-	15.7	-	-	(15.1)	-	-	-	-	-	-	-	-	-	-	-	-	-	14.0	
15.0	19.5	-	-	17.9	-	-	15.3	-	-	12.1	-	-	(16.6)	-	-	-	-	-	-	-	-	-	-	15.0	
16.0	18.5	-	-	17.1	-	-	14.8	-	-	11.8	-	-	9.4	-	-	-	-	-	-	-	-	-	-	16.0	
17.0	17.6	-	-	16.5	-	-	14.3	-	-	11.5	-	-	9.4	-	-	-	-	-	-	-	-	-	-	17.0	
18.0	16.7	-	-	15.8	-	-	13.9	-	-	11.3	-	-	9.3	-	-	7.6	-	-	(19.5)	-	-	-	-	18.0	
19.0	16.0	(19.9)	-	15.2	-	-	13.5	-	-	11.0	-	-	9.2	-	-	7.5	-	-	6.1	-	-	-	-	19.0	
20.0	15.3	15.1	-	14.6	(22.3)	-	13.0	-	-	10.7	-	-	9.1	-	-	7.5	-	-	6.1	-	-	-	-	20.0	
22.0	14.2	13.3	-	13.4	12.8	-	12.2	(24.7)	-	10.2	-	-	8.9	-	-	7.3	-	-	6.0	-	-	-	-	22.0	
24.0	13.5	11.8	-	12.4	11.7	-	11.4	11.0	-	9.6	(27.0)	-	8.7	-	-	7.2	-	-	5.8	-	-	-	-	24.0	
26.0	(23.6)	10.6	(28.5)	11.5	10.5	-	10.6	10.2	-	9.1	9.4	-	8.5	(29.4)	-	7.0	-	-	5.7	-	-	-	-	26.0	
28.0	-	9.6	6.3	10.7	9.5	(31.7)	9.9	9.2	-	8.7	8.9	-	8.2	8.0	-	6.9	(31.8)	-	5.6	-	-	-	-	28.0	
30.0	-	8.8	6.9	10.3	8.6	6.3	9.2	8.4	-	8.2	8.1	-	7.9	7.8	-	6.7	6.5	-	5.4	-	-	-	-	30.0	
32.0	-	(29.7)	6.3	(29.1)	7.8	6.2	8.6	7.7	(34.9)	7.8	7.4	-	7.6	7.1	-	6.5	6.4	-	5.3	(34.1)	-	-	-	32.0	
34.0	-	-	5.8	-	7.2	5.6	8.0	7.0	5.1	7.3	6.7	-	7.2	6.5	-	6.2	6.0	-	5.1	5.0	-	-	-	34.0	
36.0	-	-	5.4	-	6.9	5.1	7.8	6.4	4.9	6.9	6.2	(38.1)	6.9	5.9	-	6.0	5.6	-	5.0	4.8	-	-	-	36.0	
38.0	-	-	(35.5)	-	(35.2)	4.7	(34.5)	5.9	4.5	6.6	5.7	4.1	6.5	5.4	(41.3)	5.8	5.1	-	4.8	4.6	-	-	-	38.0	
40.0	-	-	-	-	4.4	-	5.5	4.2	6.2	6.2	5.2	3.8	6.1	5.0	3.3	5.5	4.7	-	4.6	4.4	-	-	-	40.0	
42.0	-	-	-	-	4.2	-	5.4	3.8	-	4.8	3.5	5.6	4.6	3.2	5.2	4.3	(44.5)	-	4.5	4.0	-	-	-	42.0	
44.0	-	-	-	-	(41.0)	-	(40.7)	3.5	-	4.5	3.2	5.2	4.2	3.0	4.9	3.9	2.5	4.3	3.7	(47.8)	-	-	-	44.0	
46.0	-	-	-	-	-	-	-	3.2	-	4.2	2.9	4.8	3.9	2.7	4.6	3.6	2.3	4.1	3.3	1.8	-	-	-	46.0	
48.0	-	-	-	-	-	-	-	3.2	-	4.1	2.7	(45.5)	3.6	2.5	4.3	3.3	2.1	3.9	3.1	1.8	-	-	-	48.0	
50.0	-	-	-	-	-	-	-	(46.5)	-	(46.1)	2.5	-	3.3	2.2	4.0	3.0	1.9	3.7	2.8	1.6	-	-	-	50.0	
52.0	-	-	-	-	-	-	-	-	-	-	2.3	-	3.2	2.0	3.8	2.8	1.7	3.5	2.5	1.4	-	-	-	52.0	
54.0	-	-	-	-	-	-	-	-	-	-	-	-	(51.6)	1.8	(51.0)	2.6	1.5	3.3	2.3	1.3	-	-	-	54.0	
56.0	-	-	-	-	-	-	-	-	-	-	-	-	-	1.7	-	2.4	1.4	3.0	2.1	1.1	-	-	-	56.0	
58.0	-	-	-	-	-	-	-	-	-	-	-	-	-	1.5	-	2.3	1.2	3.0	1.9	0.9	-	-	-	58.0	
60.0	-	-	-	-	-	-	-	-	-	-	-	-	-	(57.4)	-	(57.1)	1.1	(56.4)	1.8	0.8	-	-	-	60.0	
62.0	-	-	-	-	-	-	-	-	-	-	-	-	-	-	-	-	1.0	-	1.7	-	-	-	-	62.0	
64.0	-	-	-	-	-	-	-	-	-	-	-	-	-	-	-	-	0.9	-	1.6	-	-	-	-	64.0	
66.0	-	-	-	-	-	-	-	-	-	-	-	-	-	-	-	-	(62.9)	-	(62.6)	-	-	-	-	66.0	

Values in brackets ( ) represented below or above load capacity, indicate exact radius. / Les valeurs entre parenthèses ( ) notées au-dessus ou en-dessous des capacités, indiquent les portées exactes (pour les dernières). / Die Werten in Klammern unten oder oben den Tragfähigkeiten bedeuten die genaue Ausladung. / Waarden tussen haakjes ( ) onder of boven capaciteiten geven de exacte radius aan



# SENNEBOGEN 3300-R SL

# 125 TON

Lifting capacities at luffing fly jib  
Capacités à la volée variable

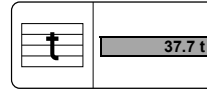
Tragfähigkeiten an wippbarem Hilfsausleger  
Capaciteiten aan de beweegbare hulpgiëk



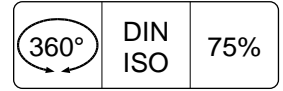
SHWS



4.9m



37.7 t



360°

DIN  
ISO

75%

m	41.1m																								m	
	18.7m			24.3m			29.9m			35.5m			41.1m			46.7m			52.3m							
	85°	75°	65°	85°	75°	65°	85°	75°	65°	85°	75°	65°	85°	75°	65°	85°	75°	65°	85°	75°	65°					
10.0	(11.3)	-	-	-	-	-	-	-	-	-	-	-	-	-	-	-	-	-	-	-	-	-	-	-	10.0	
11.0	20.2	-	-	(12.7)	-	-	-	-	-	-	-	-	-	-	-	-	-	-	-	-	-	-	-	-	-	11.0
12.0	19.5	-	-	17.0	-	-	-	-	-	-	-	-	-	-	-	-	-	-	-	-	-	-	-	-	-	12.0
13.0	18.6	-	-	16.8	-	-	(14.2)	-	-	-	-	-	-	-	-	-	-	-	-	-	-	-	-	-	-	13.0
14.0	17.8	-	-	16.1	-	-	14.0	-	-	(15.6)	-	-	-	-	-	-	-	-	-	-	-	-	-	-	-	14.0
15.0	17.0	-	-	15.4	-	-	13.5	-	-	11.0	-	-	-	-	-	-	-	-	-	-	-	-	-	-	-	15.0
16.0	16.2	-	-	14.7	-	-	13.0	-	-	10.9	-	-	(17.1)	-	-	-	-	-	-	-	-	-	-	-	-	16.0
17.0	15.5	-	-	14.1	-	-	12.5	-	-	10.6	-	-	8.6	-	-	(18.5)	-	-	-	-	-	-	-	-	-	17.0
18.0	14.9	-	-	13.5	-	-	12.0	-	-	10.2	-	-	8.5	-	-	6.9	-	-	-	-	-	-	-	-	-	18.0
19.0	14.2	(21.4)	-	12.9	-	-	11.5	-	-	9.9	-	-	8.3	-	-	6.9	-	-	-	-	-	-	-	-	-	19.0
20.0	13.7	13.2	-	12.4	(23.7)	-	11.1	-	-	9.6	-	-	8.2	-	-	6.8	-	-	-	-	5.6	-	-	-	-	20.0
22.0	12.7	12.7	-	11.5	11.2	-	10.3	-	-	9.1	-	-	7.9	-	-	6.6	-	-	-	-	5.5	-	-	-	-	22.0
24.0	11.8	11.3	-	10.6	11.0	-	9.5	(26.1)	-	8.6	-	-	7.6	-	-	6.5	-	-	-	5.4	-	-	-	-	-	24.0
26.0	11.8	10.1	-	9.9	9.9	-	8.8	9.5	-	8.1	(28.5)	-	7.3	-	-	6.3	-	-	-	5.3	-	-	-	-	-	26.0
28.0	(24.1)	9.2	(30.9)	9.4	8.9	-	8.2	8.6	-	7.6	8.1	-	7.0	(30.8)	-	6.1	-	-	-	5.2	-	-	-	-	-	28.0
30.0	-	8.3	6.0	9.0	8.1	-	7.7	7.8	-	7.2	7.5	-	6.7	6.9	-	5.9	(33.2)	-	-	5.1	-	-	-	-	-	30.0
32.0	-	7.9	5.7	(29.6)	7.4	(34.1)	7.3	7.1	-	6.8	6.8	-	6.4	6.5	-	5.7	5.8	-	-	4.9	(35.6)	-	-	-	-	32.0
34.0	-	(31.1)	5.2	-	6.8	4.8	6.9	6.5	(37.3)	6.4	6.2	-	6.1	5.9	-	5.5	5.6	-	-	4.8	4.7	-	-	-	-	34.0
36.0	-	-	4.7	-	6.2	4.4	6.8	6.0	3.9	6.0	5.7	-	5.8	5.4	-	5.3	5.1	-	-	4.6	4.6	-	-	-	-	36.0
38.0	-	-	4.4	-	6.0	4.0	(35.0)	5.5	3.8	5.7	5.2	(40.5)	5.5	4.9	-	5.1	4.6	-	-	4.5	4.3	-	-	-	-	38.0
40.0	-	-	(37.9)	-	(36.6)	3.7	-	5.1	3.5	5.5	4.8	3.0	5.1	4.5	(43.7)	4.8	4.2	-	-	4.3	3.9	-	-	-	-	40.0
42.0	-	-	-	-	-	3.4	-	4.7	3.2	5.4	4.4	2.8	4.8	4.1	2.3	4.6	3.8	-	-	4.1	3.5	-	-	-	-	42.0
44.0	-	-	-	-	-	3.2	-	4.7	2.9	(40.5)	4.1	2.6	4.5	3.8	2.3	4.3	3.5	(46.9)	-	3.9	3.2	-	-	-	-	44.0
46.0	-	-	-	-	-	(43.4)	-	(42.1)	2.6	-	3.8	2.3	4.2	3.5	2.0	4.1	3.2	1.6	-	3.7	2.9	-	-	-	-	46.0
48.0	-	-	-	-	-	-	-	-	2.4	-	3.6	2.1	-	3.2	1.8	3.8	2.9	1.5	-	3.5	2.6	(50.1)	-	-	-	48.0
50.0	-	-	-	-	-	-	-	-	2.3	-	(47.6)	1.9	-	3.0	1.6	3.5	2.7	1.3	-	3.3	2.4	1.0	-	-	-	50.0
52.0	-	-	-	-	-	-	-	-	(38.8)	-	-	1.7	-	2.8	1.5	3.3	2.4	1.1	-	3.1	2.2	0.8	-	-	-	52.0
54.0	-	-	-	-	-	-	-	-	-	-	-	1.6	-	2.7	1.3	(51.5)	2.2	1.0	-	2.9	2.0	-	-	-	-	54.0
56.0	-	-	-	-	-	-	-	-	-	-	-	1.6	-	(53.0)	1.2	-	2.0	0.8	-	2.6	1.8	-	-	-	-	56.0
58.0	-	-	-	-	-	-	-	-	-	-	-	(54.3)	-	-	1.0	-	1.9	-	-	2.5	1.6	-	-	-	-	58.0
60.0	-	-	-	-	-	-	-	-	-	-	-	-	-	-	0.9	-	1.8	-	-	(57.0)	1.4	-	-	-	-	60.0
62.0	-	-	-	-	-	-	-	-	-	-	-	-	-	-	(59.8)	-	(58.5)	-	-	-	1.3	-	-	-	-	62.0
64.0	-	-	-	-	-	-	-	-	-	-	-	-	-	-	-	-	-	-	-	-	1.2	-	-	-	-	64.0

Values in brackets () represented below or above load capacity, indicate exact radius. / Les valeurs entre parenthèses () notées au-dessus ou en-dessous des capacités, indiquent les portées exactes (pour les dernières). / Die Werten in Klammern unten oder oben den Tragfähigkeiten bedeuten die genaue Ausladung. / Waarden tussen haakjes () onder of boven capaciteiten geven de exacte radius aan.



## Working Speeds Vitesses de travail

## Arbeitsgeschwindigkeiten Werkssnelheden

Drives Mécanismes Antriebe Aandrijvingen	Mode Mode Zuordnung Uitvoering	Speeds Vitesses Geschwindigkeiten Snelheden	Rope diameter Diamètre du câble Seildurchmesser Kabeldiameter	Max. single line pull Effort au brin maxi. Max. Seilzug Max. trekkracht per part	Rope length Longueur du câble Lange der seile Kabellengte
	Main hoist No.1 Levage sur flèche No.1 Hubwerk 1 Hijslier 1	0 – 140 m/min	26 mm	160 kN	260 m
	Main hoist No.2 Levage sur flèche No.2 Hubwerk 2 Hijslier 2	0 – 140 m/min	26 mm	160 kN	260 m
	Hoist A-frame Relevage chevalet Einziehwerk Lier A-frame	2 x 0 – 24 m/min	20 mm	110 kN	-
	Slewing gear Orientation Drehwerk Zwenkwerk	0 – 3.0 Rev./min			
	Travel speed Vitesse de rangée Fahrgeschwindigkeit Rijnsnelheid	0 – 1.8 km/h			

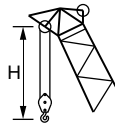
## Runner Crochet rapide

## Mastnase Giekneus

HH		Capacity Capacité Tragfähigkeit Capaciteit	Max. 12.0 t
		L= 1460 mm	

## Hook block/Crane hook Crochet mouflé/Crochet simple

## Unterflasche/Hakengehänge Kraanblok/Kraanhaak



Capacity Capacité Tragfähigkeit Capaciteit	Number of sheaves Nombre de poulies Anzahl der Rollen Aantal schijven	Number of lines Nombre de brins Strangzahl Aantal parten	Weight Poids Gewicht Gewicht	"H"
SWL 40 t	1	3	1200 kg	2.5 m
SWL 12 t	-	1	600 kg	2.0 m

