

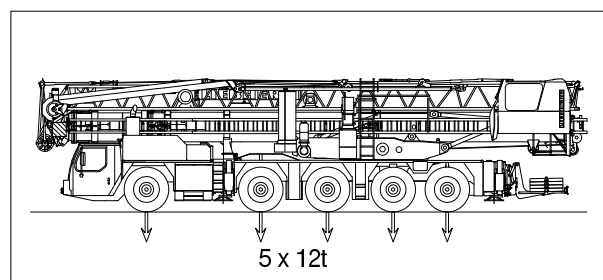
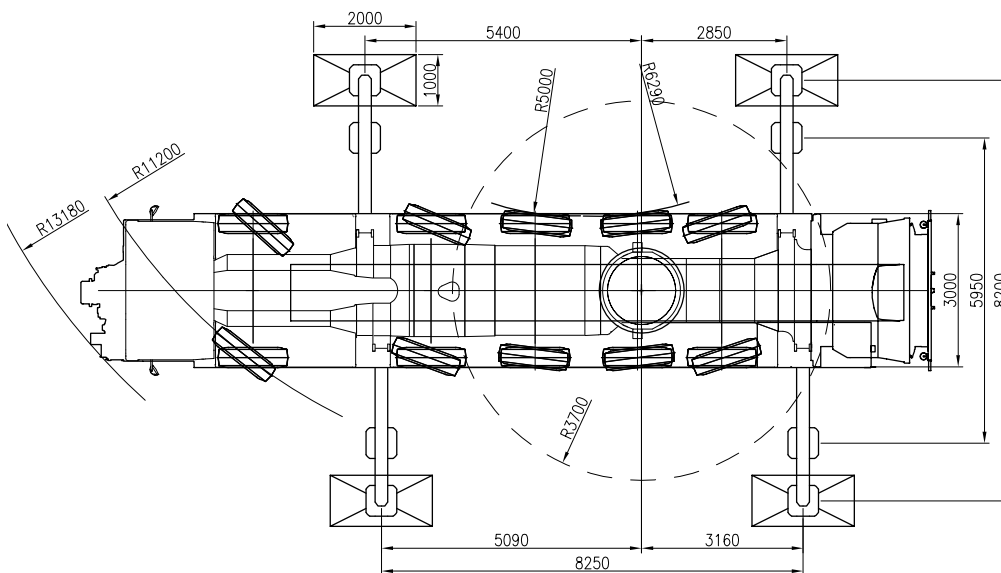
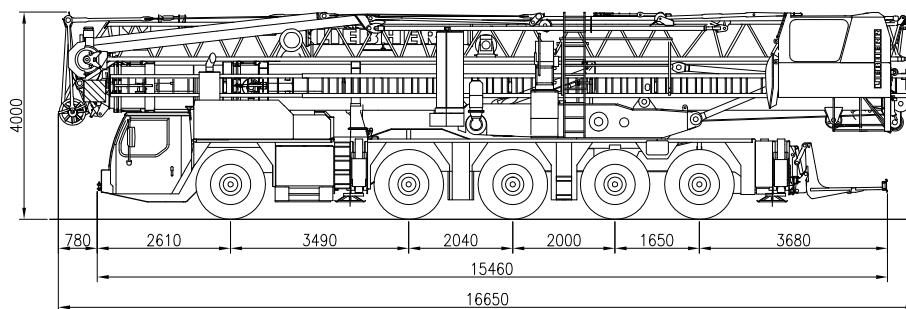


**sarens**  
group

[www.sarens.com](http://www.sarens.com)

## LIEBHERR MK100

## 52 METER



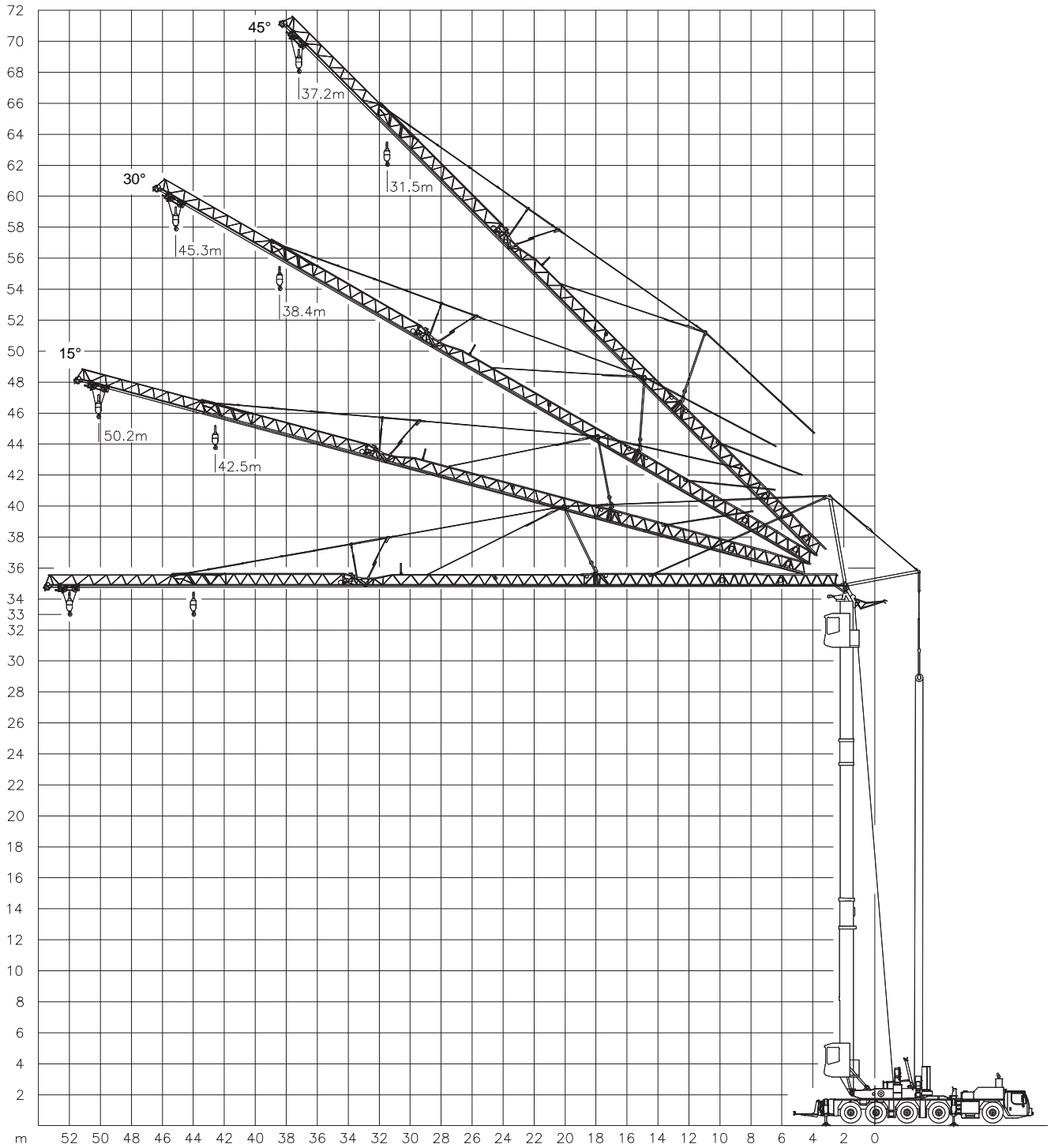


# LIEBHERR MK100

Working ranges  
Portées

## 52 METER

Arbeitsbereiche  
Werkbereich



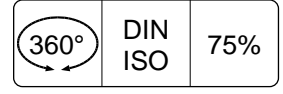
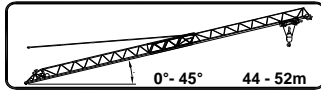


# LIEBHERR MK100

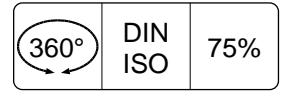
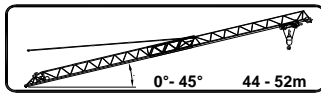
## 52 METER

Lifting capacities at main boom (hook block included, excl. lifting mat.)  
Capacités à la flèche principale

Tragfähigkeiten am Hauptausleger  
Capaciteiten aan de hoofdgiel



|    | 44.0m |        |        |        | 52.0m |        |        |        |    |
|----|-------|--------|--------|--------|-------|--------|--------|--------|----|
|    | 0°    | 15°    | 30°    | 45°    | 0°    | 15°    | 30°    | 45°    |    |
|    | t     | t      | t      | t      | t     | t      | t      | t      |    |
| 3  | 8.00  | 1.70   | 6.00   | 1.70   | 8.00  | 1.60   | 6.00   | 1.60   | 3  |
| 4  | 8.00  | 1.70   | 6.00   | 1.70   | 8.00  | 1.60   | 6.00   | 1.60   | 4  |
| 6  | 8.00  | 1.70   | 6.00   | 1.70   | 8.00  | 1.60   | 6.00   | 1.60   | 6  |
| 8  | 8.00  | 1.70   | 6.00   | 1.70   | 8.00  | 1.60   | 6.00   | 1.60   | 8  |
| 10 | 8.00  | 1.70   | 6.00   | 1.70   | 8.00  | 1.60   | 6.00   | 1.60   | 10 |
| 12 | 8.00  | 1.70   | 6.00   | 1.70   | 8.00  | 1.60   | 6.00   | 1.60   | 12 |
| 14 | 8.00  | 1.70   | 6.00   | 1.70   | 7.80  | 1.60   | 6.00   | 1.60   | 14 |
| 16 | 6.95  | 1.70   | 5.54   | 1.70   | 6.68  | 1.60   | 5.23   | 1.60   | 16 |
| 18 | 6.05  | 1.70   | 4.90   | 1.70   | 5.83  | 1.60   | 4.62   | 1.60   | 18 |
| 20 | 5.34  | 1.70   | 4.38   | 1.70   | 5.15  | 1.60   | 4.13   | 1.60   | 20 |
| 22 | 4.77  | 1.70   | 3.95   | 1.70   | 4.61  | 1.60   | 3.73   | 1.60   | 22 |
| 24 | 4.30  | 1.70   | 3.60   | 1.70   | 4.16  | 1.60   | 3.39   | 1.60   | 24 |
| 26 | 3.91  | 1.70   | 3.29   | 1.70   | 3.79  | 1.60   | 3.10   | 1.60   | 26 |
| 28 | 3.58  | 1.70   | 3.03   | 1.70   | 3.47  | 1.60   | 2.85   | 1.60   | 28 |
| 30 | 3.29  | 1.70   | 2.80   | 1.70   | 3.19  | 1.60   | 2.63   | 1.60   | 30 |
| 32 | 3.04  | 1.70   | 2.60   | 1.70   | 2.95  | 1.60   | 2.44   | 1.60   | 32 |
| 34 | 2.83  | 1.70   | 2.42   | (31.5) | 2.74  | 1.60   | 2.27   | 1.60   | 34 |
| 36 | 2.63  | 1.70   | 2.26   | -      | 2.56  | 1.60   | 2.12   | 1.60   | 36 |
| 38 | 2.46  | 1.70   | 2.12   | -      | 2.39  | 1.60   | 1.99   | 1.60   | 38 |
| 40 | 2.31  | 1.70   | 2.10   | -      | 2.24  | 1.60   | 1.87   | (37.2) | 40 |
| 42 | 2.17  | 1.70   | (38.4) | -      | 2.11  | 1.60   | 1.76   | -      | 42 |
| 44 | 2.05  | 1.70   | -      | -      | 1.99  | 1.60   | 1.66   | -      | 44 |
| 46 | -     | (42.5) | -      | -      | 1.88  | 1.60   | 1.60   | -      | 46 |
| 48 | -     | -      | -      | -      | 1.77  | 1.60   | (45.3) | -      | 48 |
| 50 | -     | -      | -      | -      | 1.68  | 1.60   | -      | -      | 50 |
| 52 | -     | -      | -      | -      | 1.60  | 1.60   | -      | -      | 52 |
| 54 | -     | -      | -      | -      | -     | (50.2) | -      | -      | 54 |



|    | 44.0m |        |        |        | 52.0m |        |        |        |    |
|----|-------|--------|--------|--------|-------|--------|--------|--------|----|
|    | 0°    | 15°    | 30°    | 45°    | 0°    | 15°    | 30°    | 45°    |    |
|    | t     | t      | t      | t      | t     | t      | t      | t      |    |
| 3  | 8.00  | 1.70   | 6.00   | 1.70   | 8.00  | 1.70   | 6.00   | 1.70   | 3  |
| 4  | 8.00  | 1.70   | 6.00   | 1.70   | 8.00  | 1.70   | 6.00   | 1.70   | 4  |
| 6  | 8.00  | 1.70   | 6.00   | 1.70   | 7.58  | 1.70   | 6.00   | 1.70   | 6  |
| 8  | 6.01  | 1.70   | 5.72   | 1.70   | 5.48  | 1.70   | 5.24   | 1.70   | 8  |
| 10 | 4.60  | 1.70   | 4.37   | 1.70   | 4.25  | 1.70   | 3.95   | 1.70   | 10 |
| 12 | 3.70  | 1.70   | 3.50   | 1.70   | 3.44  | 1.70   | 3.13   | 1.70   | 12 |
| 14 | 3.06  | 1.70   | 2.90   | 1.70   | 2.86  | 1.70   | 2.56   | 1.70   | 14 |
| 16 | 2.60  | 1.70   | 2.45   | 1.70   | 2.44  | 1.70   | 2.15   | 1.70   | 16 |
| 18 | 2.24  | 1.65   | 2.11   | 1.70   | 2.11  | 1.42   | 1.84   | 1.70   | 18 |
| 20 | 1.95  | 1.40   | 1.84   | 1.70   | 1.84  | 1.22   | 1.59   | 1.70   | 20 |
| 22 | 1.72  | 1.21   | 1.62   | 1.70   | 1.63  | 1.05   | 1.39   | 1.70   | 22 |
| 24 | 1.53  | 1.05   | 1.43   | 1.70   | 1.45  | 0.91   | 1.23   | 1.70   | 24 |
| 26 | 1.37  | 0.93   | 1.28   | 1.70   | 1.30  | 0.80   | 1.09   | 1.70   | 26 |
| 28 | 1.24  | 0.82   | 1.15   | 1.70   | 1.17  | 0.70   | 0.97   | 1.64   | 28 |
| 30 | 1.12  | 0.72   | 1.04   | 1.60   | 1.05  | 0.61   | 0.87   | 1.49   | 30 |
| 32 | 1.01  | 0.65   | 0.94   | 1.50   | 0.96  | 0.54   | 0.78   | 1.36   | 32 |
| 34 | 0.92  | 0.57   | 0.85   | (31.5) | 0.87  | 0.47   | 0.70   | 1.24   | 34 |
| 36 | 0.84  | 0.51   | 0.78   | -      | 0.79  | 0.42   | 0.63   | 1.15   | 36 |
| 38 | 0.77  | 0.45   | 0.71   | -      | 0.73  | 0.37   | 0.57   | 1.10   | 38 |
| 40 | 0.71  | 0.40   | 0.70   | -      | 0.66  | 0.32   | 0.52   | (37.2) | 40 |
| 42 | 0.65  | 0.36   | (38.4) | -      | 0.61  | 0.28   | 0.47   | -      | 42 |
| 44 | 0.60  | 0.35   | -      | -      | 0.56  | 0.24   | 0.42   | -      | 44 |
| 46 | -     | (42.5) | -      | -      | 0.51  | 0.21   | 0.40   | -      | 46 |
| 48 | -     | -      | -      | -      | 0.47  | 0.18   | (45.3) | -      | 48 |
| 50 | -     | -      | -      | -      | 0.43  | 0.16   | -      | -      | 50 |
| 52 | -     | -      | -      | -      | 0.40  | 0.15   | -      | -      | 52 |
| 54 | -     | -      | -      | -      | -     | (50.2) | -      | -      | 54 |

Values in brackets ( ) below or above load capacity, indicate exact radius. / Les valeurs entre parenthèses ( ) notées au-dessus ou en-dessous des capacités, indiquent les portées exactes (pour les dernières). / Die Werten in Klammern unten oder oben den Tragfähigkeiten bedeuten die genaue Ausladung. / Waarden tussen haakjes ( ) onder of boven capaciteiten geven de exacte radius aan.



# LIEBHERR MK100

Erection procedure  
Déroulement de montage

## 52 METER

Aufstellvorgang  
Opstellingsprocedure

