



sarens
group

www.sarens.com

HYDRAULIC GANTRY





HYDRAULIC GANTRY

Specification
Spécifications

Spezifikation
Specificaties

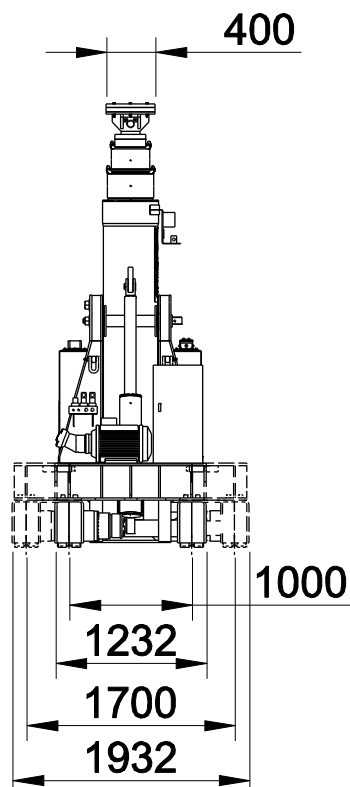
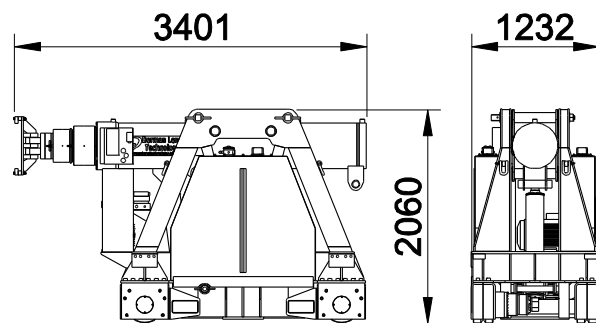
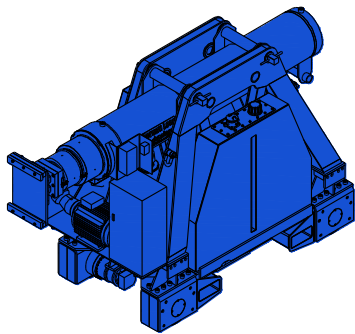
Hydraulic Gantry SWL 100 t

Safe working load SWL

Stage 1	400 tonnes @ 83 bar
Stage 2	400 tonnes @ 120 bar
Stage 3	276 tonnes @ 120 bar

Control system

Central wireless control console plus local pendant controller to each unit



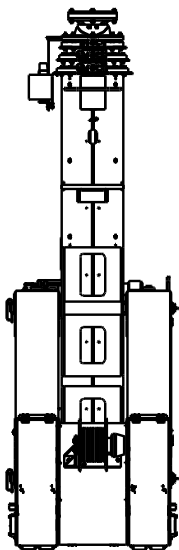


HYDRAULIC GANTRY

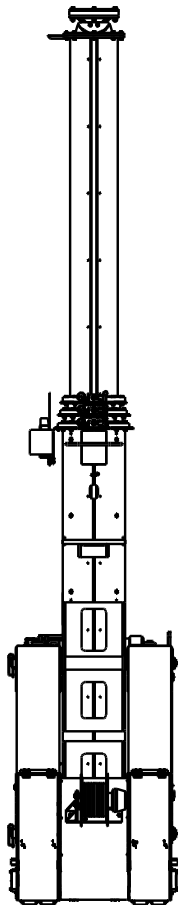
Specification
Spécifications

Spezifikation
Specificaties

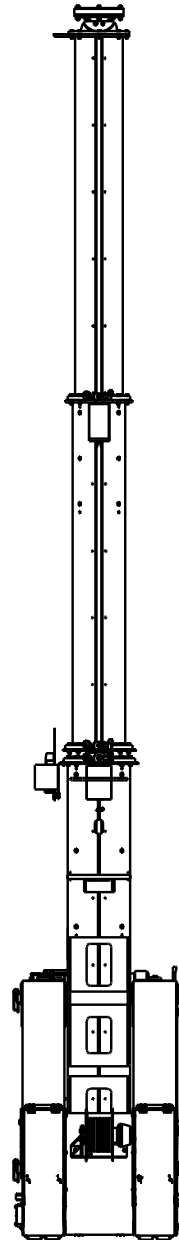
Stage	TG SWL 100 t	
	Min	Max
0	3555mm	3555mm
1	3555mm	5555mm
2	5555mm	7555mm
3	7555mm	9055mm



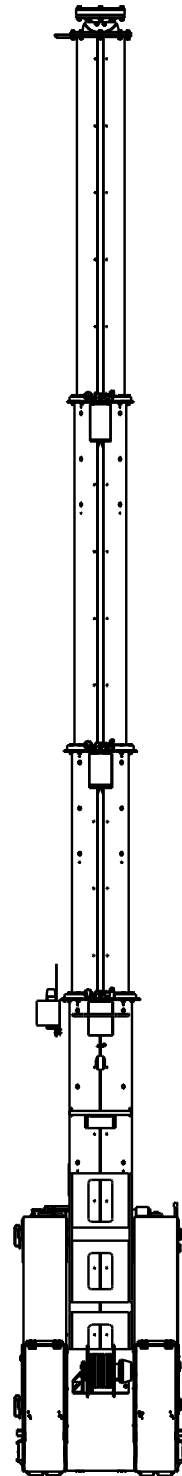
Stage 0



Stage 1



Stage 2



Stage 3

*More info available on request.